

This information provided by:

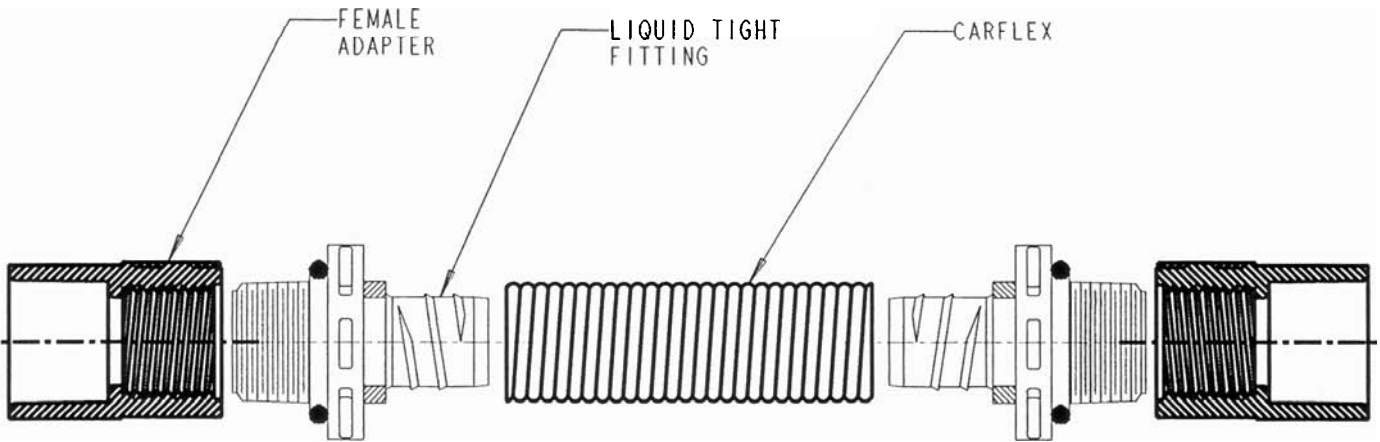


Gross Automation  
[www.grossautomation.com](http://www.grossautomation.com)

Call Toll Free:  
**800-349-5827**

TRADE SIZE [METRIC SIZE]	PART NUMBER	LIQUID TIGHT FITTING (QTY 2)	FEMALE ADAPTER (QTY 2)	CARFLEX LENGTH : INCHES [mm] ±.125" [3 mm]	TOTAL LENGTH OF ASSEMBLY INCHES [mm]
1/2" [16]	UAFAD	LN43DA	E942DX	15005-100 6.375 [162 mm]	8.51 [216 mm]
3/4" [21]	UAFAE	LN43EA	E942EX	15007-100 7.500 [191 mm]	9.56 [243 mm]
1" [27]	UAFAF	LN43FA	E942FX	15008-100 9.375 [238 mm]	11.94 [303 mm]

NOTE: PRODUCT IS SOLD FULLY ASSEMBLED



TITLE: FLEXIBLE PVC ELBOWS		DRN: RG	DATE: 1/25/01	PART NO.: SEE TABLE
LAMSON & SESSIONS	ALL DRAWINGS ARE THE PROPERTY OF LAMSON & SESSIONS AND SHALL NOT BE REPRODUCED IN ANY FORM WITHOUT LAMSON & SESSIONS' APPROVAL AND ARE TO BE PROMPTLY RETURNED UPON REQUEST.	APP. GDT	DATE: 1/26/01	DRAWING NO.: AC03910
				REV. B