

This information provided by:

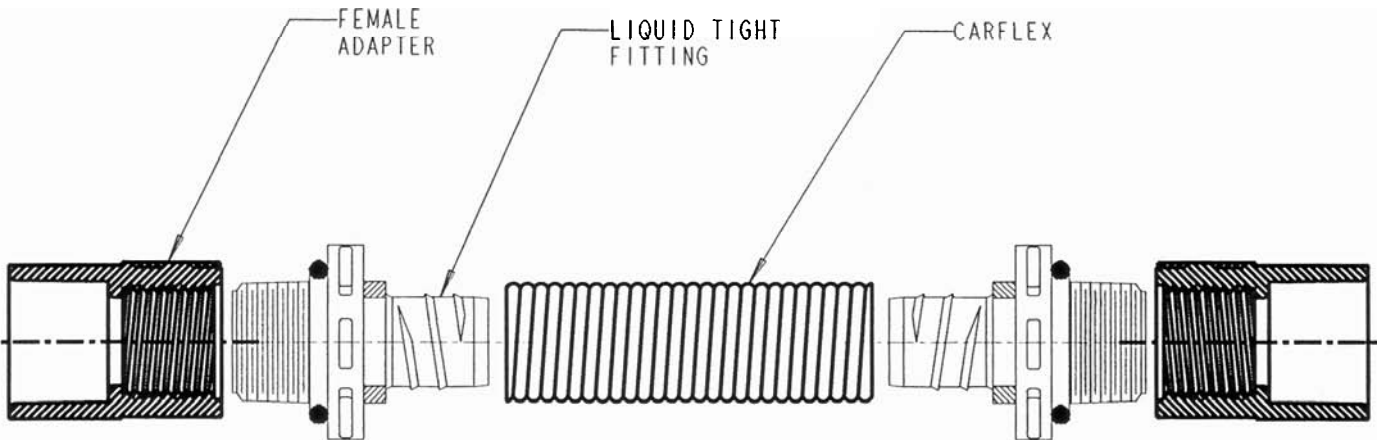


Gross Automation
www.grossautomation.com

Call Toll Free:
800-349-5827

| TRADE SIZE [METRIC SIZE] | PART NUMBER | LIQUID TIGHT FITTING (QTY 2) | FEMALE ADAPTER (QTY 2) | CARFLEX LENGTH : INCHES [mm] ±.125" [3 mm] | TOTAL LENGTH OF ASSEMBLY INCHES [mm] |
|-----------------------------|----------------|------------------------------------|------------------------------|--|---|
| 1/2" [16] | UAFAD | LN43DA | E942DX | 15005-100 6.375 [162 mm] | 8.51 [216 mm] |
| 3/4" [21] | UAFAE | LN43EA | E942EX | 15007-100 7.500 [191 mm] | 9.56 [243 mm] |
| 1" [27] | UAFAF | LN43FA | E942FX | 15008-100 9.375 [238 mm] | 11.94 [303 mm] |

NOTE: PRODUCT IS SOLD FULLY ASSEMBLED



| | | | | | |
|----------------------------|--|----------|---------------|----------------------|--------|
| TITLE: FLEXIBLE PVC ELBOWS | | DRN: RG | DATE: 1/25/01 | PART NO.: SEE TABLE | |
| LAMSON & SESSIONS | ALL DRAWINGS ARE THE PROPERTY OF LAMSON & SESSIONS AND SHALL NOT BE REPRODUCED IN ANY FORM WITHOUT LAMSON & SESSIONS' APPROVAL AND ARE TO BE PROMPTLY RETURNED UPON REQUEST. | APP. GDT | DATE: 1/26/01 | DRAWING NO.: AC03910 | REV. B |