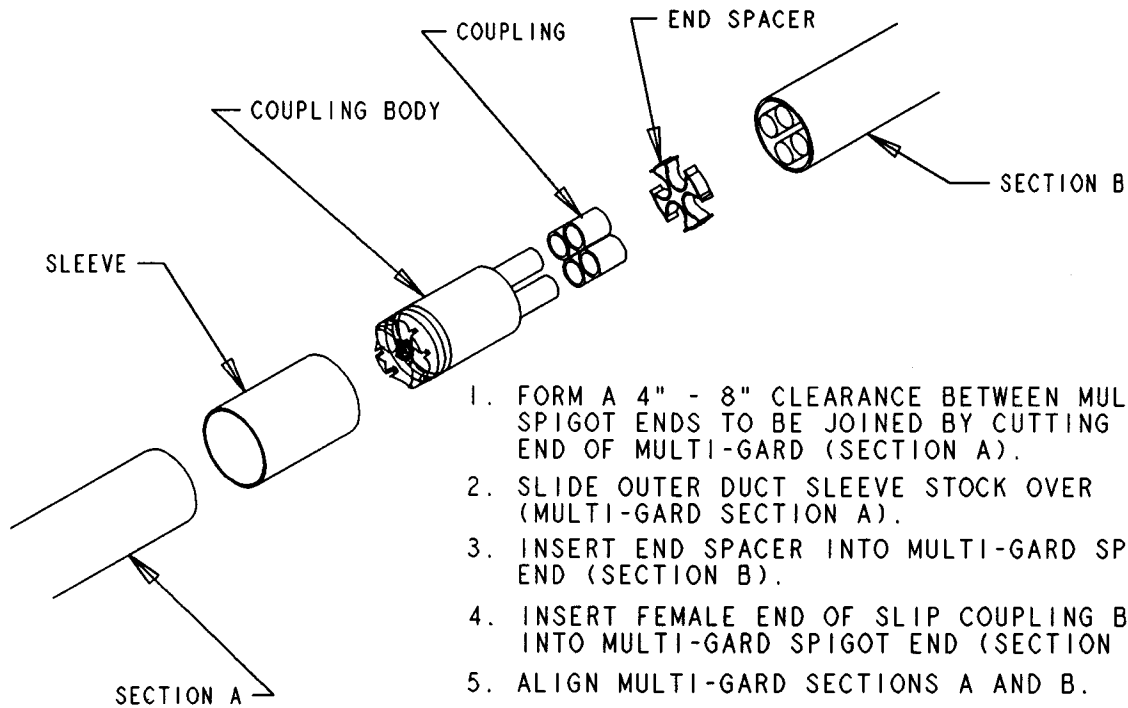


This information provided by:

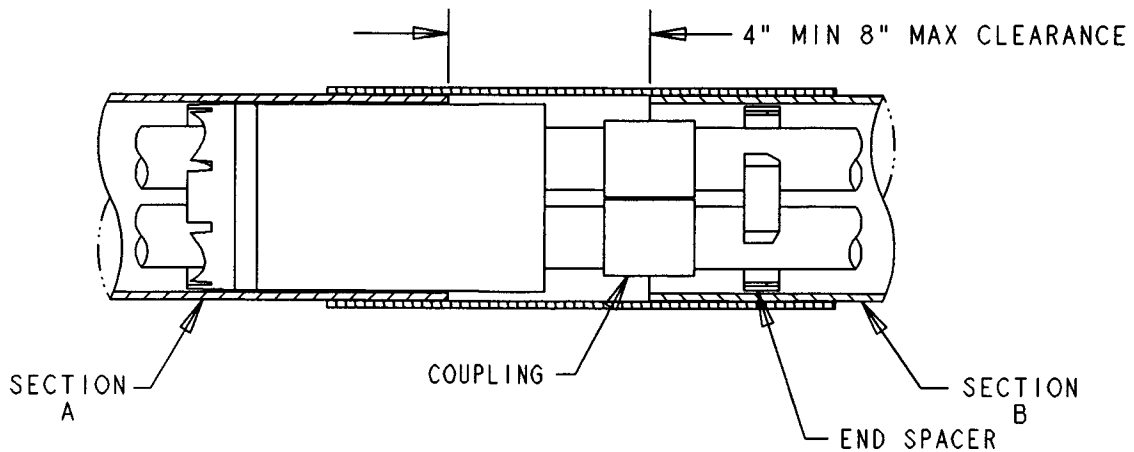


Gross Automation  
[www.grossautomation.com](http://www.grossautomation.com)

Call Toll Free:  
**800-349-5827**



1. FORM A 4" - 8" CLEARANCE BETWEEN MULTI-GARD SPIGOT ENDS TO BE JOINED BY CUTTING ONE END OF MULTI-GARD (SECTION A).
2. SLIDE OUTER DUCT SLEEVE STOCK OVER (MULTI-GARD SECTION A).
3. INSERT END SPACER INTO MULTI-GARD SPIGOT END (SECTION B).
4. INSERT FEMALE END OF SLIP COUPLING BODY INTO MULTI-GARD SPIGOT END (SECTION A).
5. ALIGN MULTI-GARD SECTIONS A AND B.
6. APPLY SOLVENT CEMENT TO INSIDE SURFACE OF COUPLINGS ATTACHED TO THE COUPLING BODY.
7. USING SHOULDER ON SLIP COUPLING BODY SLIDE BODY BACK ONTO INNERDUCT IN MULTI-GARD (SECTION B) UNTIL FIRMLY SEATED.
8. EPOXY 2" OF OUTER DUCT ENDS OF MULTI-GARD (SECTIONS A AND B) AND SLIDE SLEEVE STOCK OVER (SECTION B) UNTIL EPOXY IS COVERED AND CENTERED OVER ASSEMBLY.



CATALOG NUMBER	
M	SC
	3 = 3-WAY INNER DUCT
	4 = 4-WAY INNER DUCT
	S = STD. WALL
	H = HEAVY WALL
	B = BULLET RESISTANT

TITLE <b>OUTLINE - FIBERGLASS SLIP COUPLING</b>		DRN DPR	DATE 3-3-03	PART NO. <b>SEE CHART</b>
<b>LAMSON &amp; SESSIONS</b>	ALL DRAWINGS ARE THE PROPERTY OF LAMSON & SESSIONS AND SHALL NOT BE REPRODUCED IN ANY FORM WITHOUT LAMSON & SESSIONS' APPROVAL AND ARE TO BE PROMPTLY RETURNED UPON REQUEST.	APP	DATE 3/3/03	DRAWING NO. <b>AC04345</b>
				REV. <b>A</b>