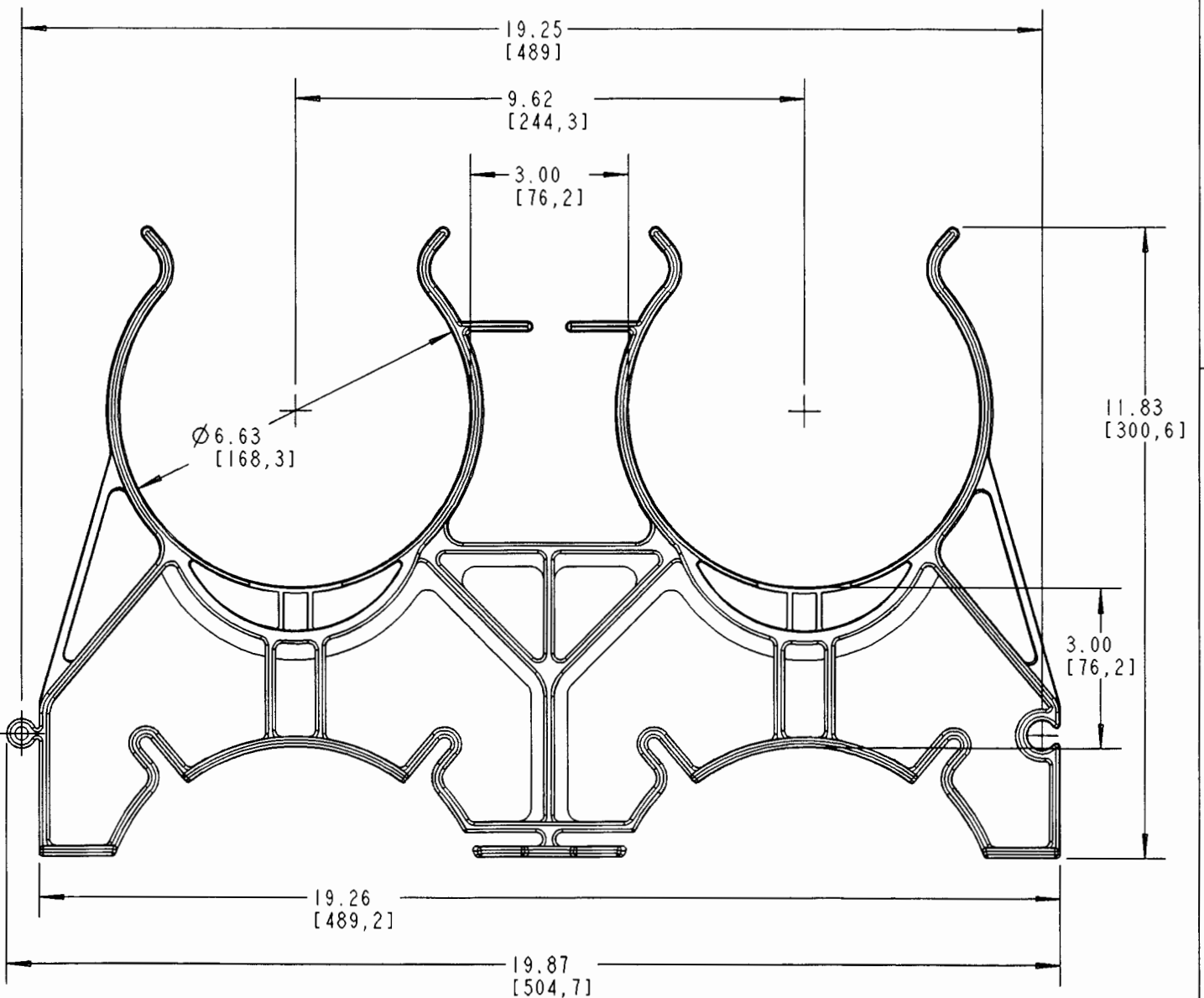
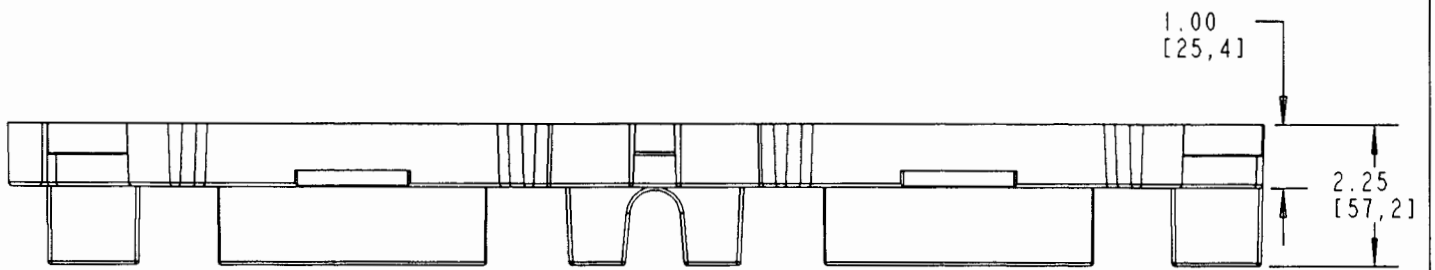


This information provided by:



Gross Automation
www.grossautomation.com

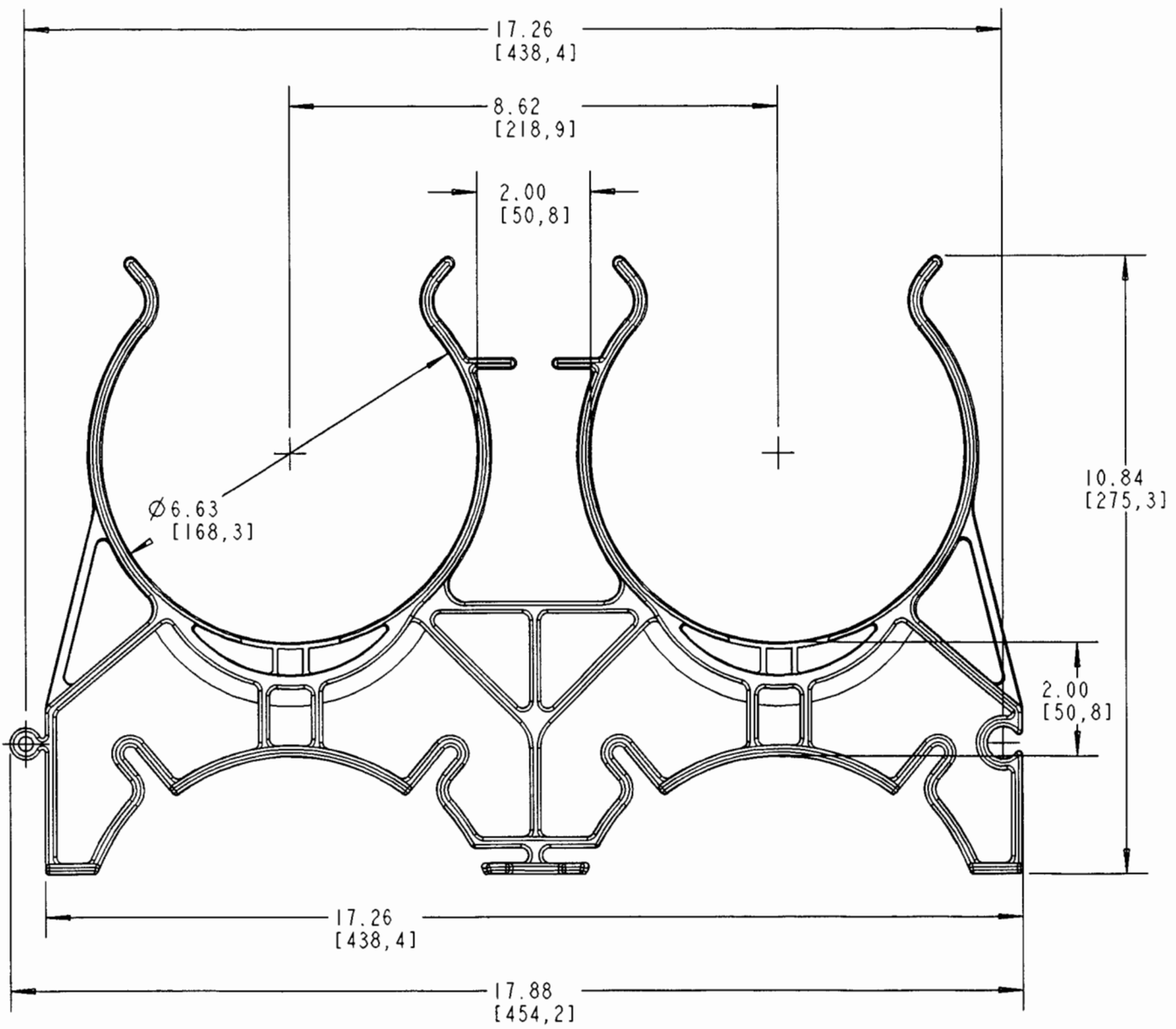
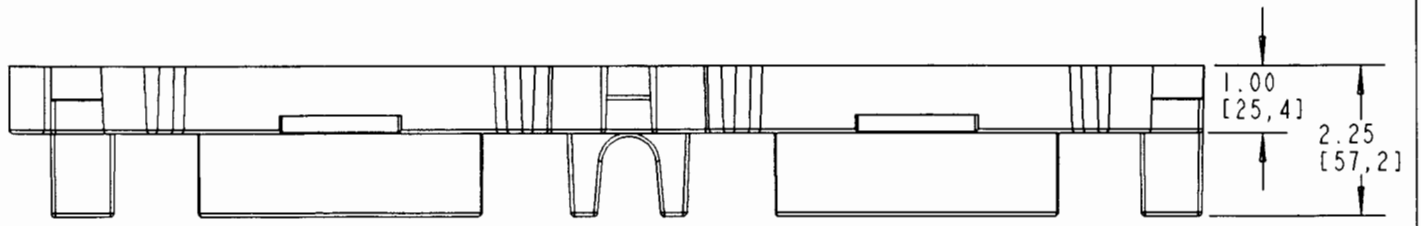
Call Toll Free:
800-349-5827



MATERIAL: HIGH-IMPACT POLYSTYRENE

SHEET 1 OF 2

TITLE SNAP-N-STAK SPACER 6" (DUCT) x 3" (SPACING)	DRN RG	DATE 12/27/04	PART NO: SP6W30-2
LAMSON & SESSIONS	ALL DRAWINGS ARE THE PROPERTY OF LAMSON & SESSIONS AND SHALL NOT BE REPRODUCED IN ANY FORM WITHOUT LAMSON & SESSIONS' APPROVAL AND ARE TO BE PROMPTLY RETURNED UPON REQUEST.		DRAWING NO: AC04664
	APP. KEF	DATE 12/27/04	REV.



MATERIAL: HIGH-IMPACT POLYSTYRENE

SHEET 2 OF 2

TITLE		DRN	DATE	PART NO:	
SNAP-N-STAK SPACER 6" (DUCT) x 2" (SPACING)		RG	12/27/04	SP6W20-2	
LAMSON & SESSIONS	ALL DRAWINGS ARE THE PROPERTY OF LAMSON & SESSIONS AND SHALL NOT BE REPRODUCED IN ANY FORM WITHOUT LAMSON & SESSIONS' APPROVAL AND ARE TO BE PROMPTLY RETURNED UPON REQUEST.	APP.	DATE	DRAWING NO:	
		KEF	12/27/04	AC04664	
					REV.