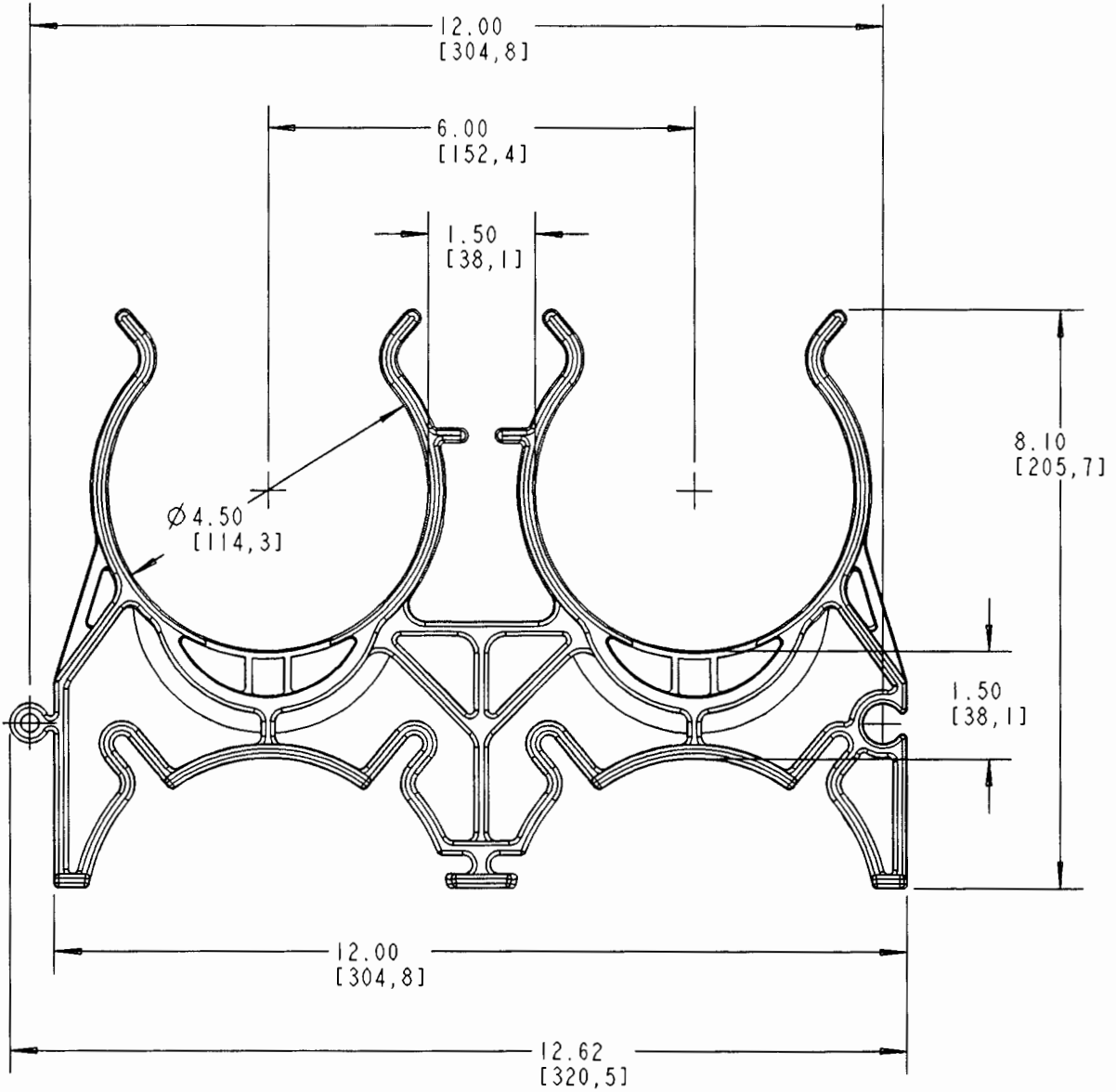
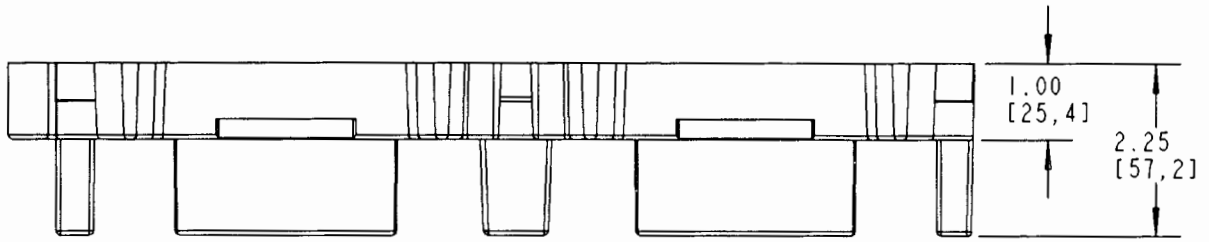


This information provided by:



Gross Automation
www.grossautomation.com

Call Toll Free:
800-349-5827



MATERIAL: HIGH-IMPACT POLYSTYRENE

SHEET 1 OF 3

TITLE SNAP-N-STAK SPACER 4" (DUCT) x 1 1/2" (SPACING)

DRN. DATE
RG 12/27/04

PART NO: SP4W15-2

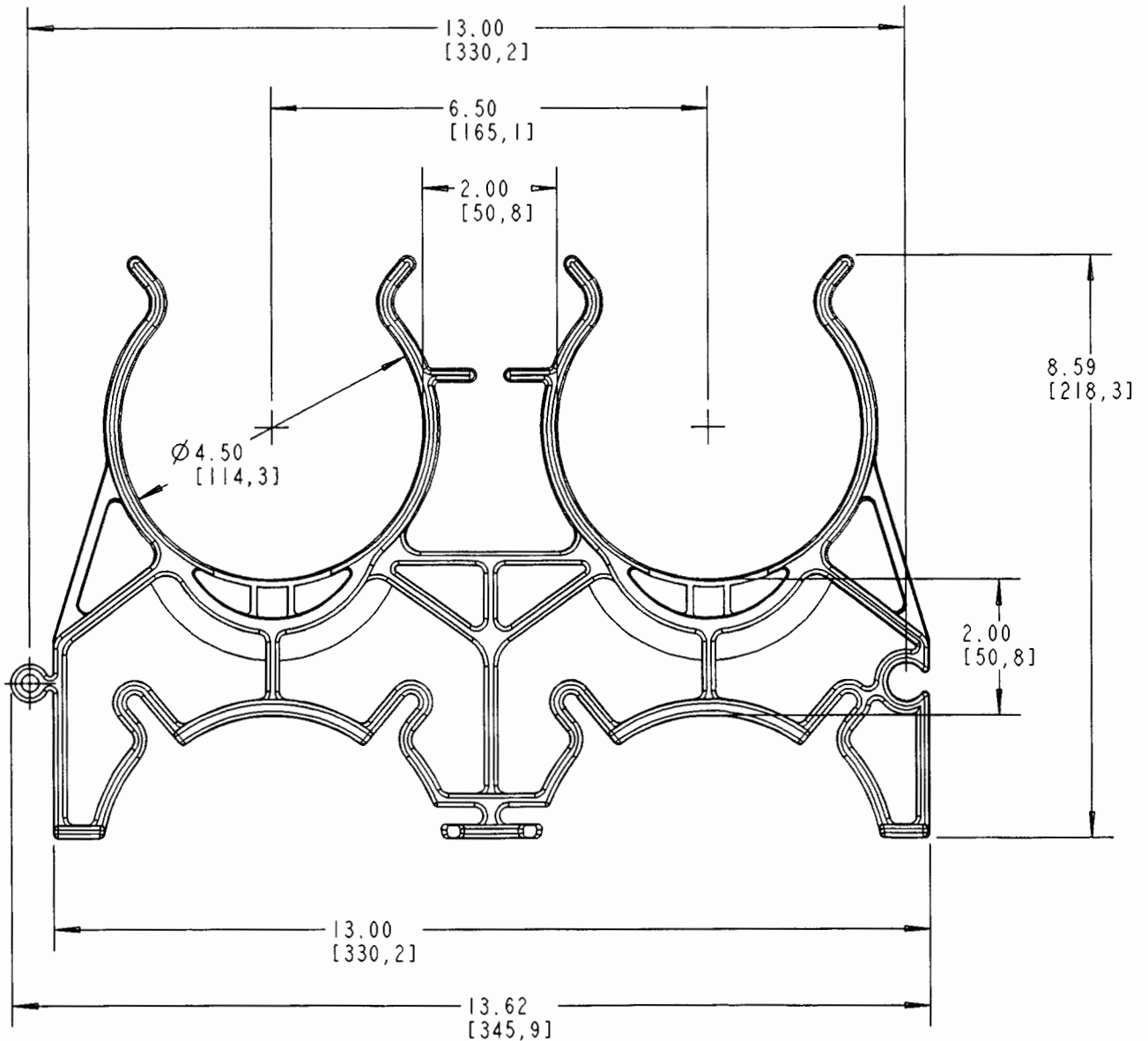
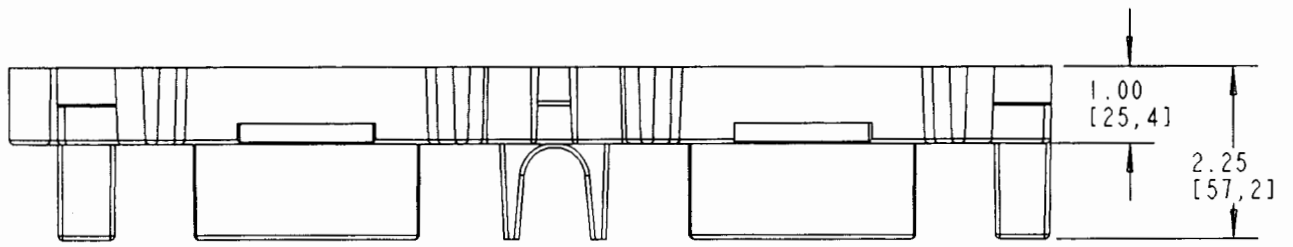
LAMSON & SESSIONS

ALL DRAWINGS ARE THE PROPERTY OF LAMSON & SESSIONS AND SHALL NOT BE REPRODUCED IN ANY FORM WITHOUT LAMSON & SESSIONS' APPROVAL AND ARE TO BE PROMPTLY RETURNED UPON REQUEST.

APP. DATE
KEF 12/27/04

DRAWING NO: AC04663

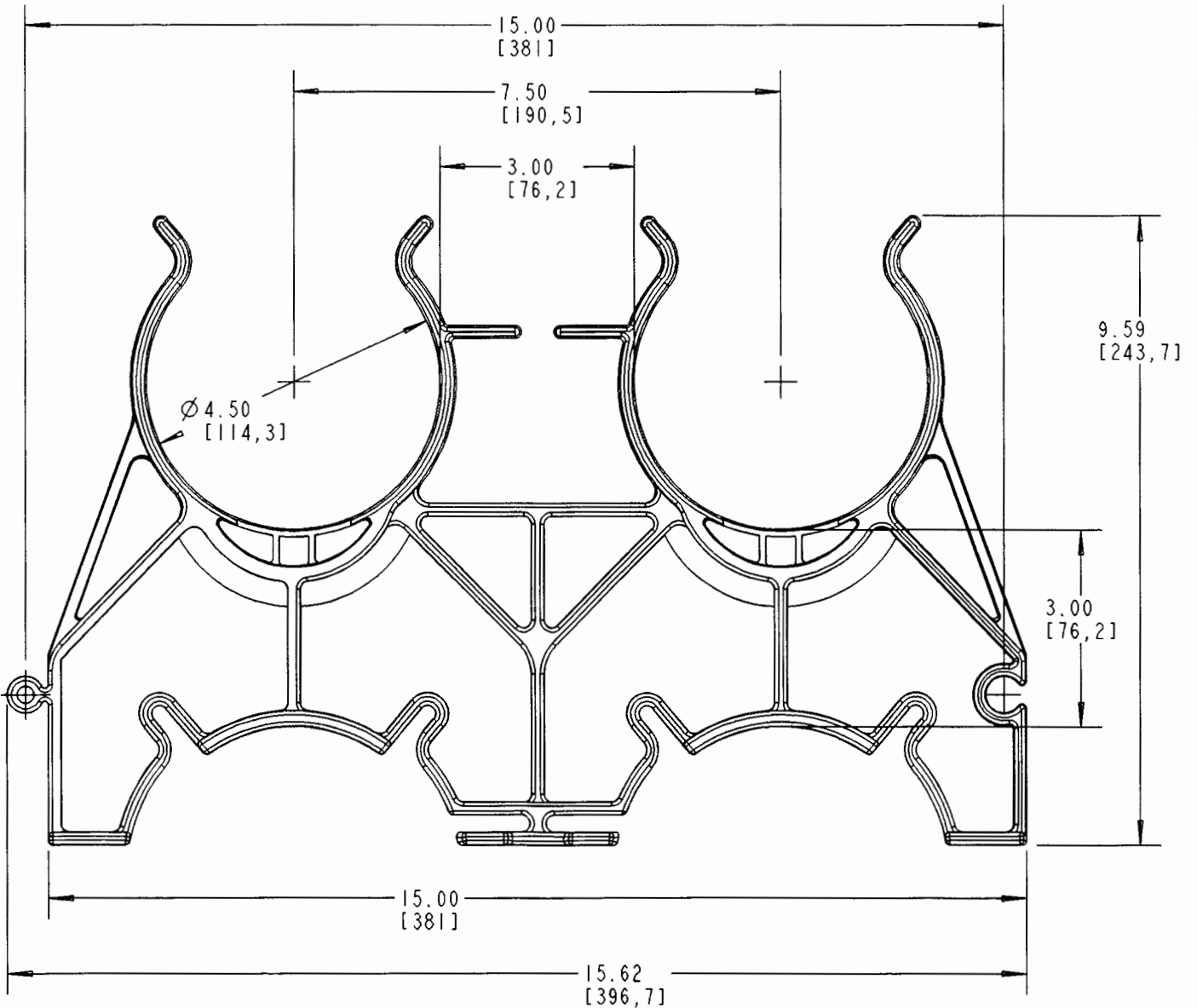
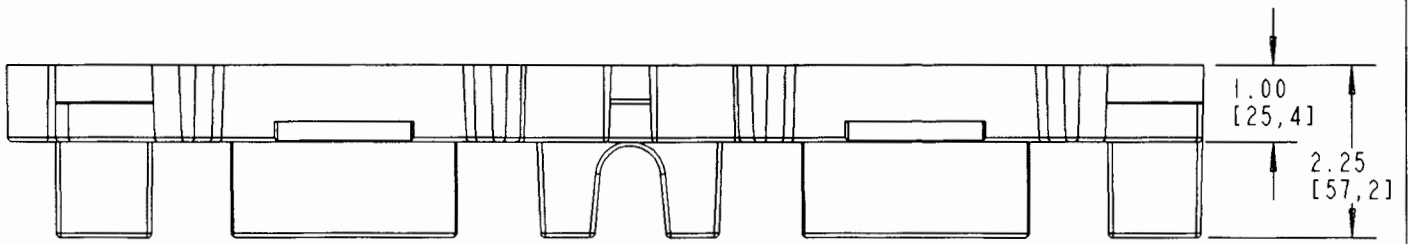
REV.



MATERIAL: HIGH-IMPACT POLYSTYRENE

SHEET 2 OF 3

TITLE: SNAP-N-STAK SPACER 4" (DUCT) x 2" (SPACING)		DRN: RG	DATE: 12/27/04	PART NO.: SP4W20-2
LAMSON & SESSIONS	ALL DRAWINGS ARE THE PROPERTY OF LAMSON & SESSIONS AND SHALL NOT BE REPRODUCED IN ANY FORM WITHOUT LAMSON & SESSIONS' APPROVAL AND ARE TO BE PROMPTLY RETURNED UPON REQUEST.	APP: KEF	DATE: 12/27/04	DRAWING NO.: AC04663
				REV.



MATERIAL: HIGH-IMPACT POLYSTYRENE

SHEET 3 OF 3

TITLE		DRN	DATE	PART NO:	
SNAP-N-STAK SPACER 4" (DUCT) x 3" (SPACING)		RG	12/27/04	SP4W30-2	
LAMSON & SESSIONS	ALL DRAWINGS ARE THE PROPERTY OF LAMSON & SESSIONS AND SHALL NOT BE REPRODUCED IN ANY FORM WITHOUT LAMSON & SESSIONS' APPROVAL AND ARE TO BE PROMPTLY RETURNED UPON REQUEST.	APP.	DATE	DRAWING NO:	REV.
		KEF	12/27/04	AC04663	