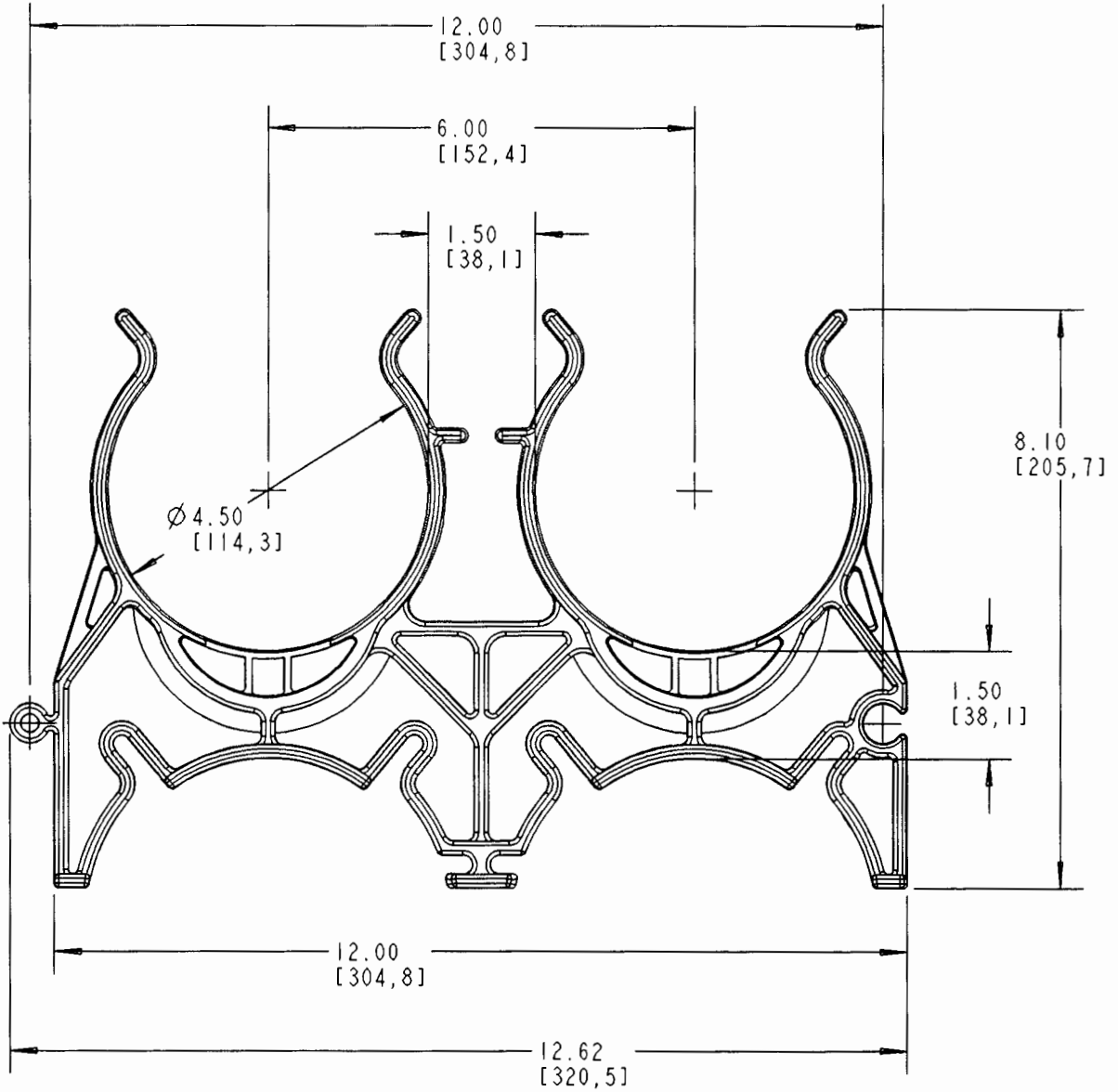
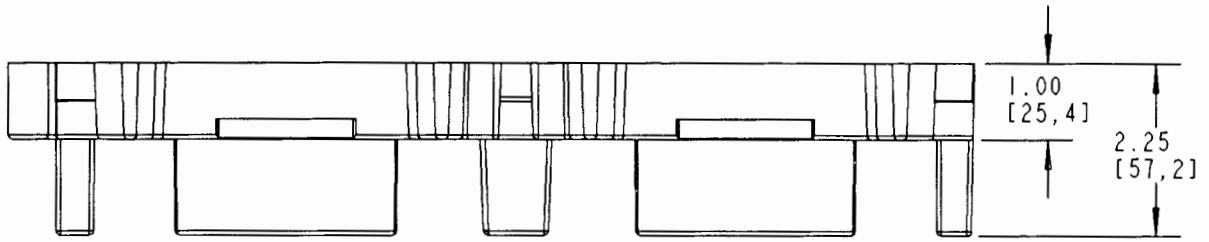


This information provided by:



Gross Automation  
[www.grossautomation.com](http://www.grossautomation.com)

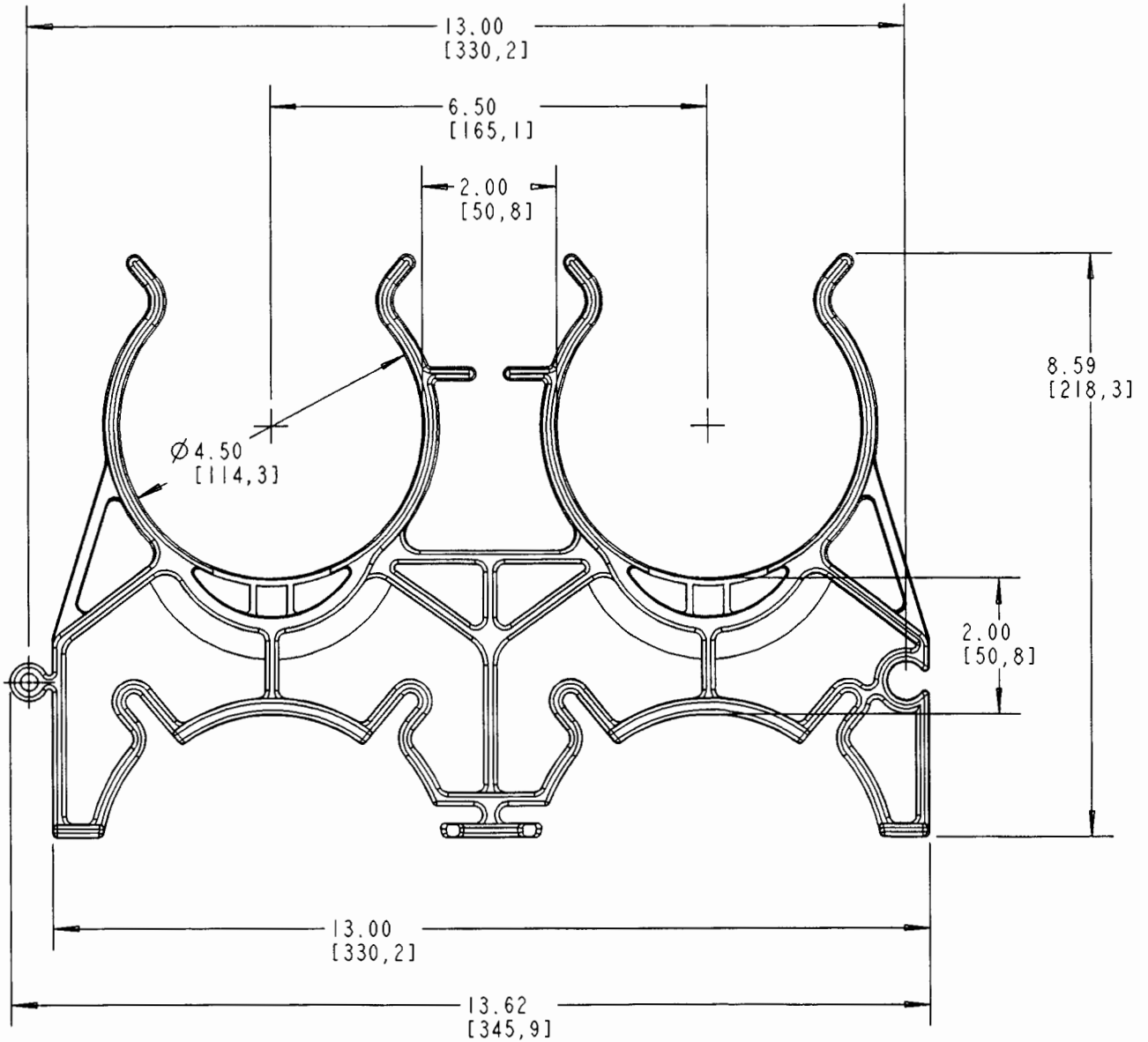
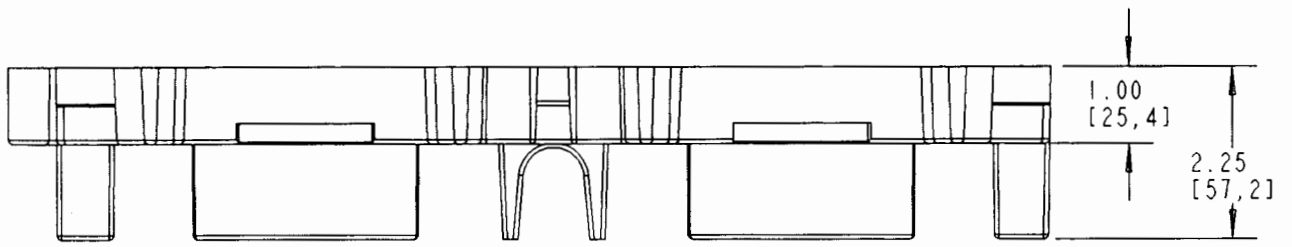
Call Toll Free:  
**800-349-5827**



MATERIAL: HIGH-IMPACT POLYSTYRENE

SHEET 1 OF 3

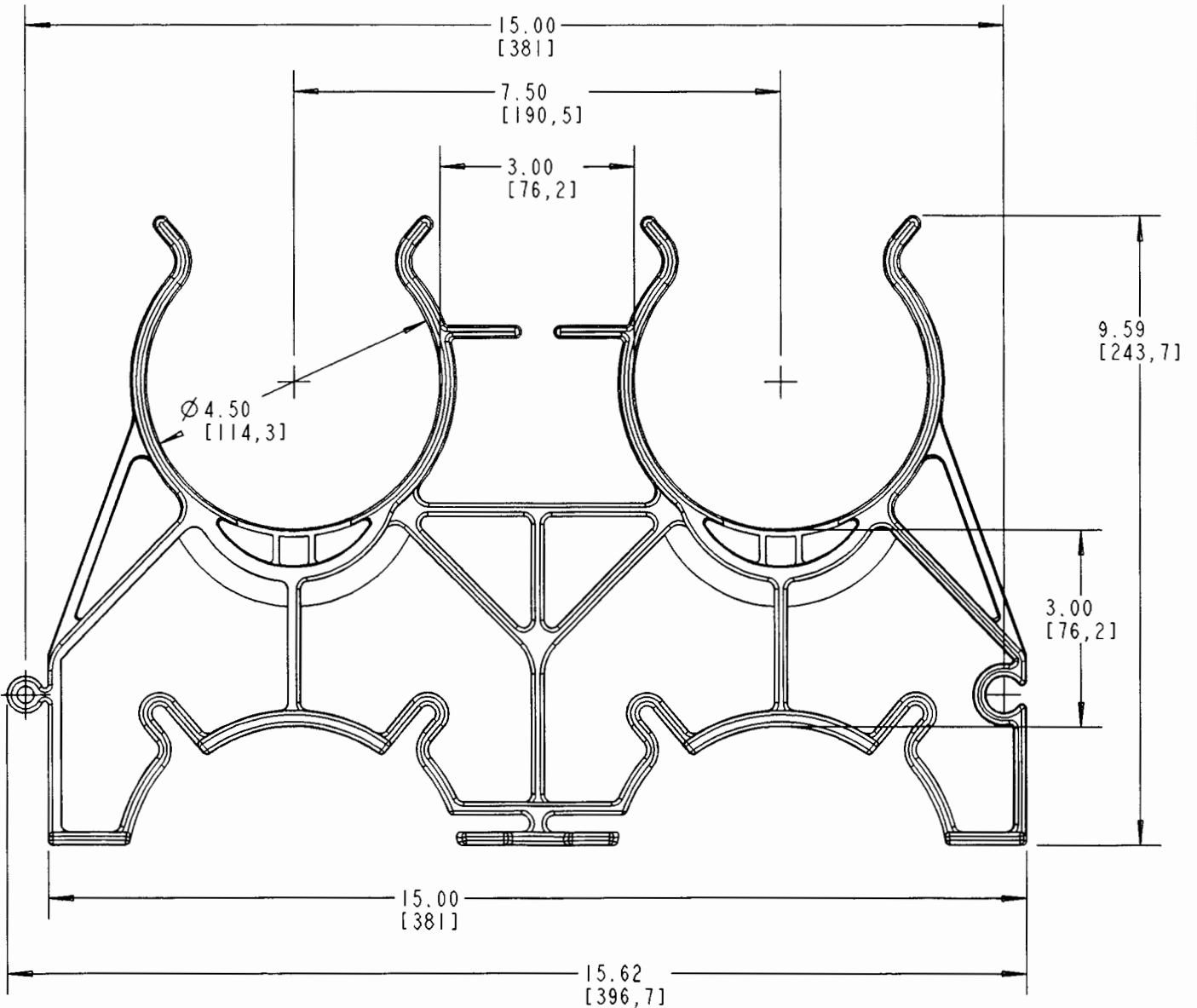
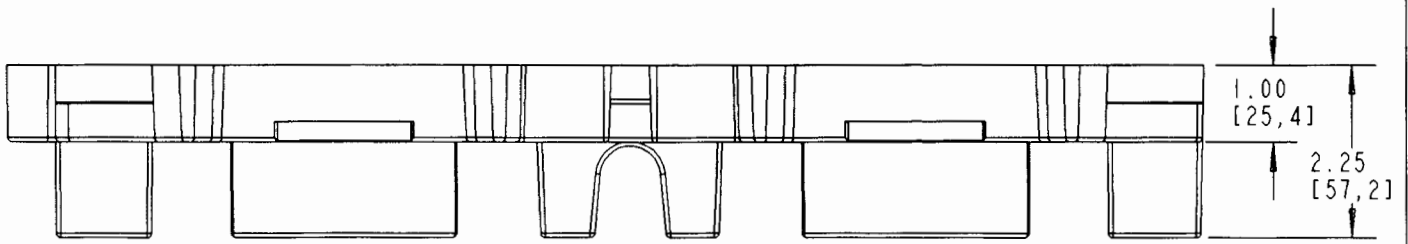
TITLE SNAP-N-STAK SPACER 4" (DUCT) x 1 1/2" (SPACING)		DRN RG	DATE 12/27/04	PART NO: <b>SP4W15-2</b>	
LAMSON & SESSIONS	ALL DRAWINGS ARE THE PROPERTY OF LAMSON & SESSIONS AND SHALL NOT BE REPRODUCED IN ANY FORM WITHOUT LAMSON & SESSIONS' APPROVAL AND ARE TO BE PROMPTLY RETURNED UPON REQUEST.	APP. KEF	DATE 12/27/04	DRAWING NO: <b>AC04663</b>	REV.



MATERIAL: HIGH-IMPACT POLYSTYRENE

SHEET 2 OF 3

TITLE: SNAP-N-STAK SPACER 4" (DUCT) x 2" (SPACING)		DRN: RG	DATE: 12/27/04	PART NO.: SP4W20-2
LAMSON & SESSIONS	ALL DRAWINGS ARE THE PROPERTY OF LAMSON & SESSIONS AND SHALL NOT BE REPRODUCED IN ANY FORM WITHOUT LAMSON & SESSIONS' APPROVAL AND ARE TO BE PROMPTLY RETURNED UPON REQUEST.	APP: KEF	DATE: 12/27/04	DRAWING NO.: AC04663
				REV.



MATERIAL: HIGH-IMPACT POLYSTYRENE

SHEET 3 OF 3

TITLE SNAP-N-STAK SPACER 4" (DUCT) x 3" (SPACING)		DRN RG	DATE 12/27/04	PART NO: SP4W30-2
LAMSON & SESSIONS	ALL DRAWINGS ARE THE PROPERTY OF LAMSON & SESSIONS AND SHALL NOT BE REPRODUCED IN ANY FORM WITHOUT LAMSON & SESSIONS' APPROVAL AND ARE TO BE PROMPTLY RETURNED UPON REQUEST.	APP. KEF	DATE 12/27/04	DRAWING NO: AC04663
				REV.