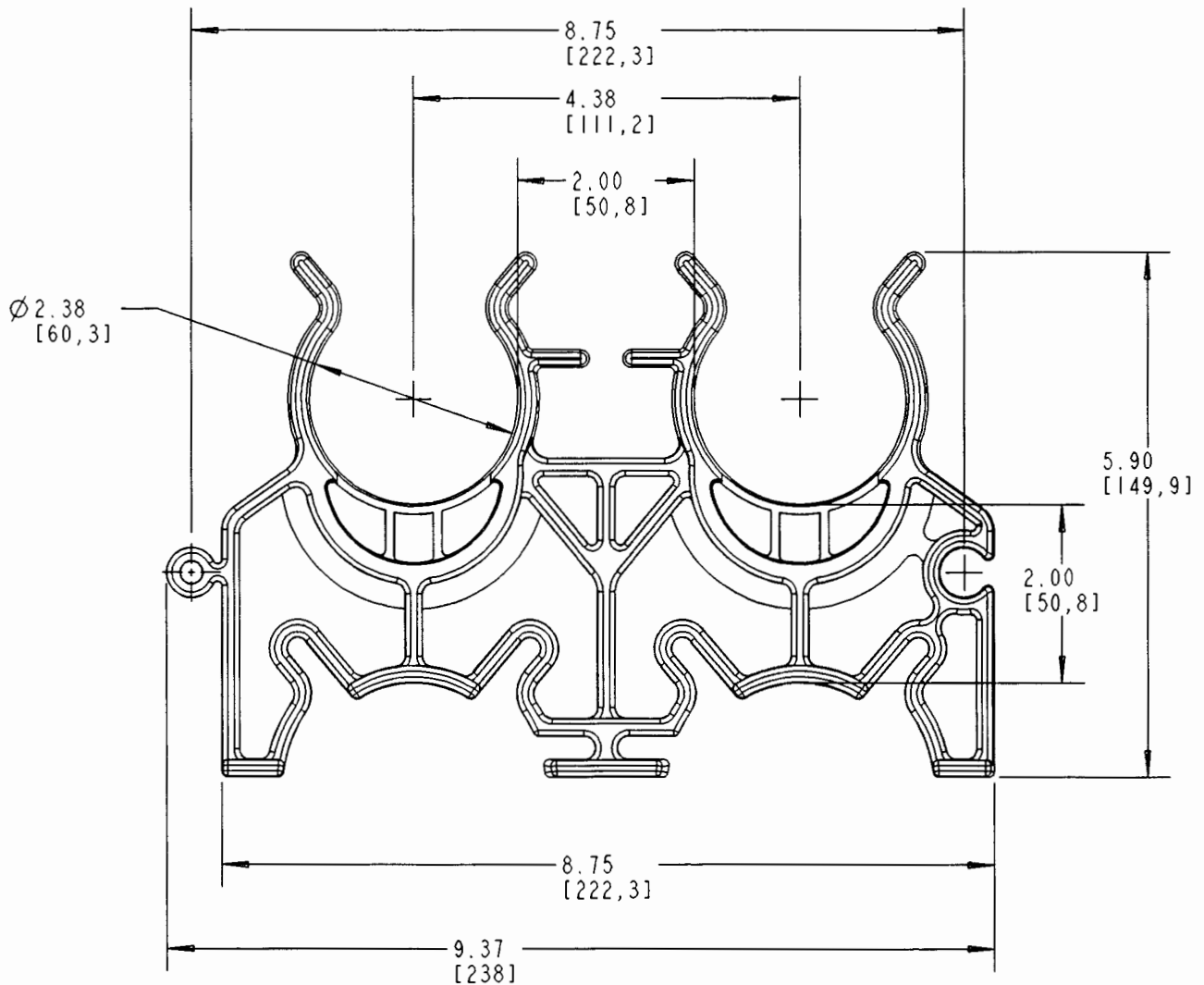
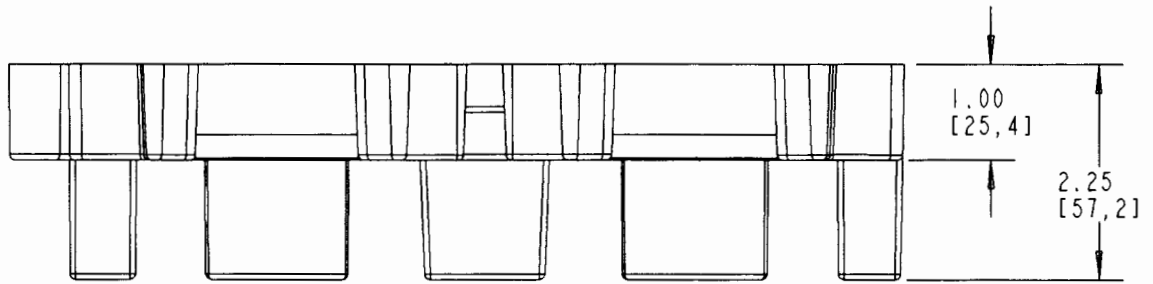


This information provided by:



Gross Automation
www.grossautomation.com

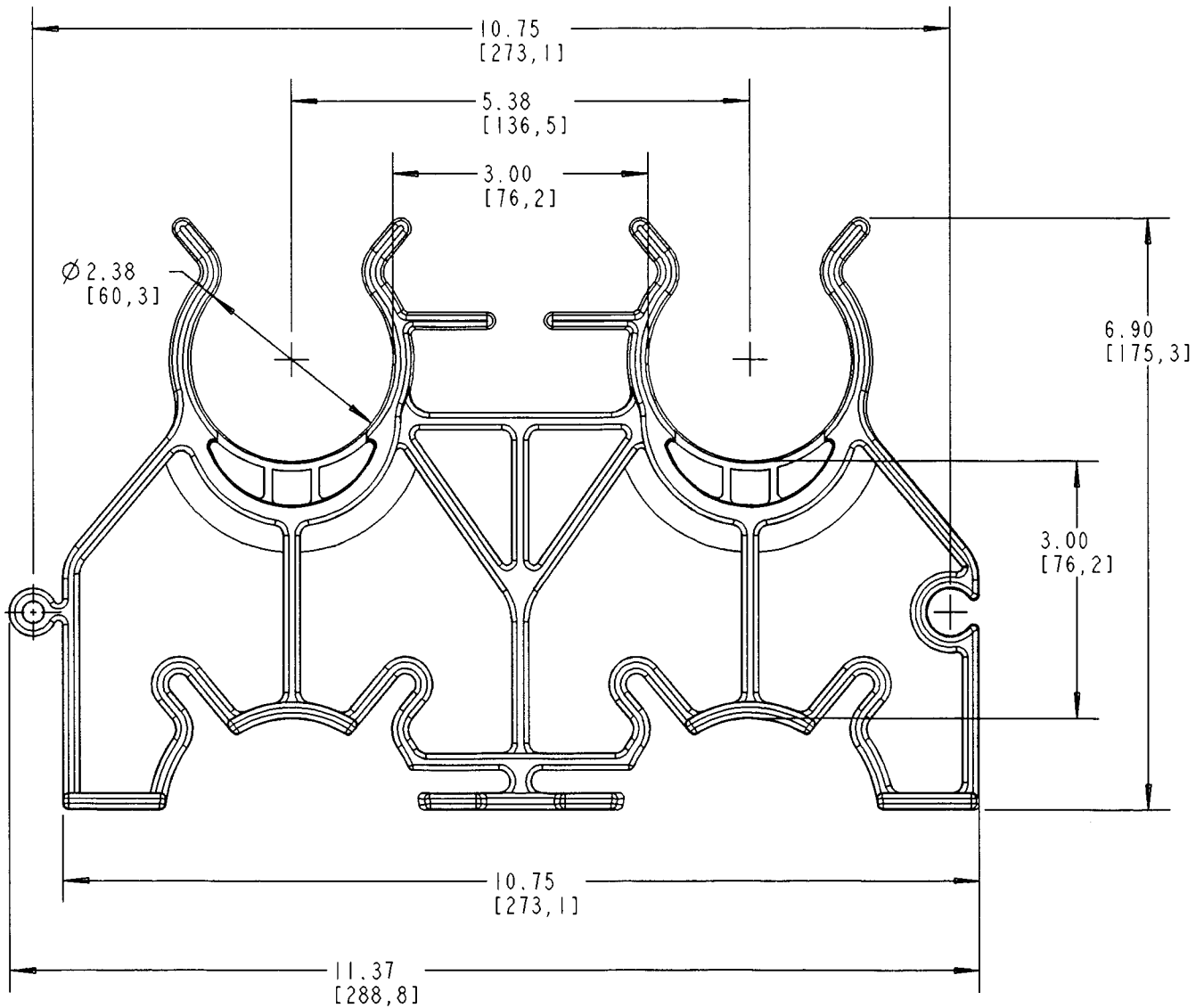
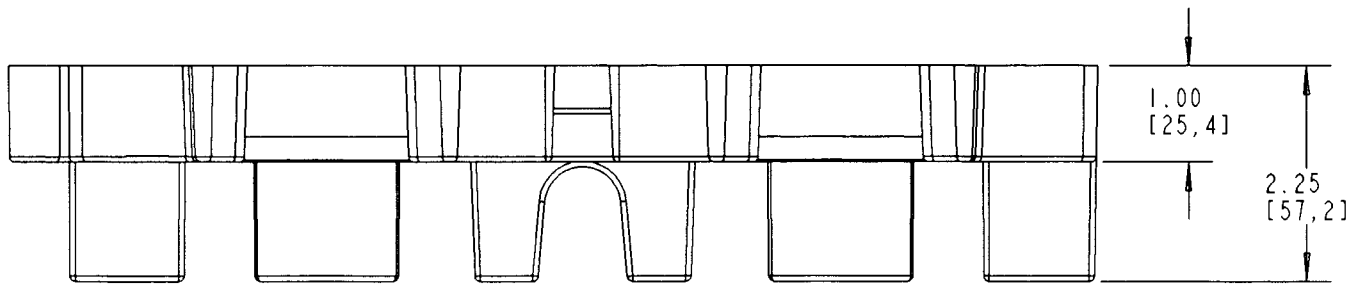
Call Toll Free:
800-349-5827



MATERIAL: HIGH-IMPACT POLYSTYRENE

SHEET 1 OF 2

TITLE: SNAP-N-STAK SPACER 2" (DUCT) x 2" (SPACING)		DRN: RG	DATE: 12/27/04	PART NO.: SP2W20-2
LAMSON & SESSIONS	ALL DRAWINGS ARE THE PROPERTY OF LAMSON & SESSIONS AND SHALL NOT BE REPRODUCED IN ANY FORM WITHOUT LAMSON & SESSIONS' APPROVAL AND ARE TO BE PROMPTLY RETURNED UPON REQUEST.	APP: KEF	DATE: 12/27/04	DRAWING NO.: AC04662
				REV.



MATERIAL: HIGH-IMPACT POLYSTYRENE

SHEET 2 OF 2

TITLE: SNAP-N-STAK SPACER 2" (DUCT) x 3" (SPACING)		DRN: RG	DATE: 12/27/04	PART NO: SP2W30-2
LAMSON & SESSIONS	ALL DRAWINGS ARE THE PROPERTY OF LAMSON & SESSIONS AND SHALL NOT BE REPRODUCED IN ANY FORM WITHOUT LAMSON & SESSIONS' APPROVAL AND ARE TO BE PROMPTLY RETURNED UPON REQUEST.	APP: KEF	DATE: 12/27/04	DRAWING NO: AC04662
				REV.