

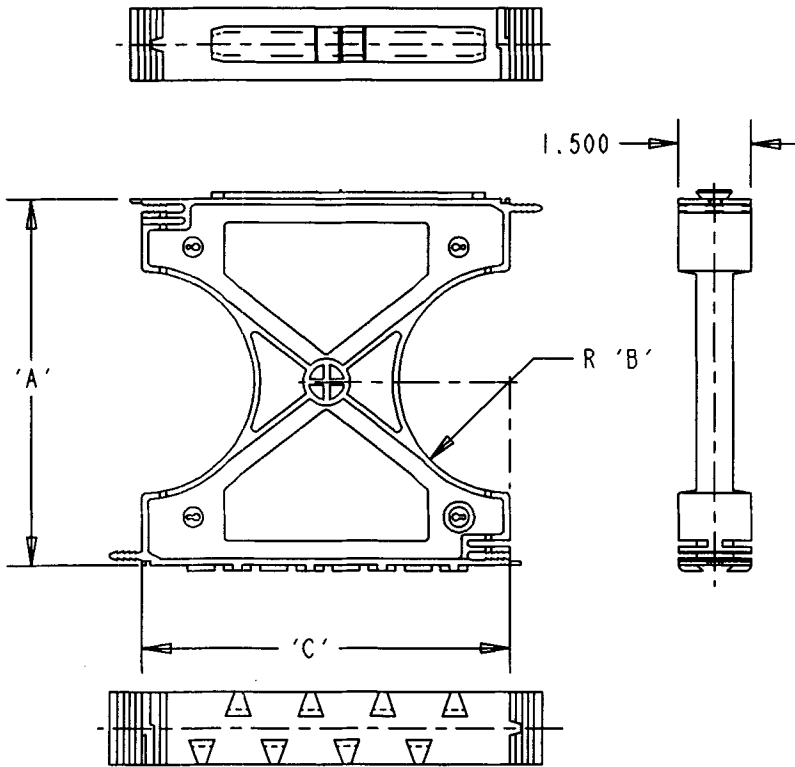
This information provided by:



Gross Automation
www.grossautomation.com

Call Toll Free:
800-349-5827

SPACER SYSTEMS ARE NOT DESIGNED FOR USE IN DIRECT BURIAL APPLICATIONS



NOTES:

1. MATERIAL: HIGH IMPACT STYRENE.
2. USE CARLON® QUICK-SET CEMENT GLUE DURING ASSEMBLY OR SPOT GLUE AFTER ASSEMBLY TO SECURE
3. PROLONGED EXPOSURE TO DIRECT SUNLIGHT COULD CAUSE MATERIAL BRITTLINESS.
4. NONMETALLIC SNAP-LOC SPACERS ARE DESIGNED SPECIFICALLY FOR USE WITH NONMETALLIC DUCT, WITH A MAXIMUM O.D. DIMENSIONS OF NEMA TC-2, TC-6, TC-8 AND ASTM F512.

S289SLN	8 X 3 (203.2 X 72.6)	11.755 (298.6)	4.378 (111.2)	11.64 (295.7)
S289SJN	8 X 2 (203.2 X 50.8)	10.755 (273.2)	4.378 (111.2)	10.64 (270.3)
S289SHN	8 X 1-1/2 (203.2 X 38.1)	10.255 (260.5)	4.378 (111.2)	10.14 (257.6)
S289RLN	6 X 3 (152.4 X 76.2)	9.750 (247.7)	3.375 (85.8)	9.64 (244.9)
S289RJN	6 X 2 (152.4 X 50.8)	8.750 (222.3)	3.375 (85.8)	8.64 (219.5)
S289RHN	6 X 1-1/2 (152.4 X 38.1)	8.250 (209.6)	3.375 (85.8)	8.14 (206.8)
S289PLN	5 X 3 (127.0 X 72.6)	8.690 (220.7)	2.845 (72.3)	8.57 (216.7)
S289PJN	5 X 2 (127.0 X 50.8)	7.690 (195.3)	2.845 (72.3)	7.57 (192.3)
S289PHN	5 X 1-1/2 (127.0 X 38.1)	7.190 (182.6)	2.845 (72.3)	7.07 (179.6)
S289NLN	4 X 3 (101.6 X 76.2)	7.625 (193.7)	2.312 (58.7)	7.51 (190.6)
S289NJN	4 X 2 (101.6 X 50.8)	6.625 (168.3)	2.312 (58.7)	6.51 (165.4)
S289NHN	4 X 1-1/2 (101.6 X 38.1)	6.125 (155.6)	2.312 (58.7)	6.01 (152.7)
S289NFN	4 X 1 (101.6 X 25.4)	5.609 (142.5)	2.312 (58.7)	5.73 (145.5)
S289LLN	3 X 3 (76.2 X 76.2)	6.625 (168.3)	1.812 (46.0)	6.51 (165.4)
S289LJN	3 X 2 (76.2 X 50.8)	5.625 (142.9)	1.812 (46.0)	5.51 (140.0)
S289LHN	3 X 1-1/2 (76.2 X 38.1)	5.125 (130.2)	1.812 (46.0)	5.01 (127.3)
S289JLN	2 X 3 (50.8 X 76.2)	5.500 (139.7)	1.250 (31.8)	5.38 (136.7)
S289JJN	2 X 2 (50.8 X 50.8)	4.500 (114.3)	1.250 (31.8)	4.38 (111.3)
S289JHN	2 X 1-1/2 (50.8 X 38.1)	4.000 (101.6)	1.250 (31.8)	3.88 (98.6)
PART NO.	DESCRIPTION	DIM 'A'	DIM 'B'	DIM 'C'

TITLE SPACER - INTERMEDIATE		DRN DJK 10-13-97	DATE 10-13-97	PART NO. SEE CHART
LAMSON & SESSIONS	ALL DRAWINGS ARE THE PROPERTY OF LAMSON & SESSIONS AND SHALL NOT BE REPRODUCED IN ANY FORM WITHOUT LAMSON & SESSIONS' APPROVAL AND ARE TO BE PROMPTLY RETURNED UPON REQUEST.	APP. TI 10-15-97	DATE 10-15-97	DRAWING NO. AC03237