

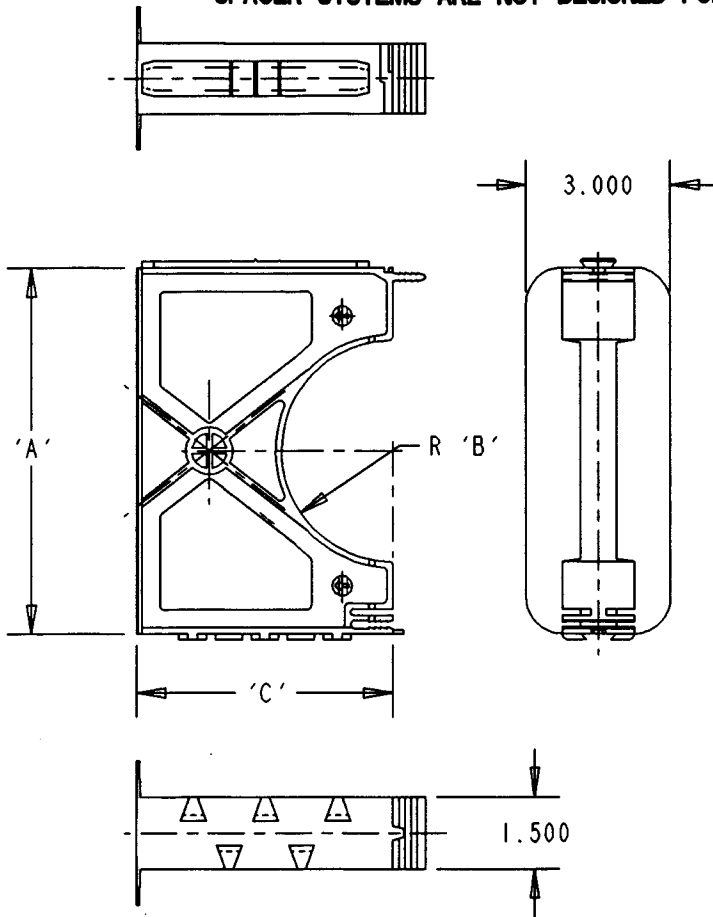
This information provided by:



Gross Automation  
[www.grossautomation.com](http://www.grossautomation.com)

Call Toll Free:  
**800-349-5827**

SPACER SYSTEMS ARE NOT DESIGNED FOR USE IN DIRECT BURIAL APPLICATIONS



NOTES:

1. MATERIAL: HIGH IMPACT STYRENE.
2. USE CARLON® QUICK-SET CEMENT GLUE DURING ASSEMBLY OR SPOT GLUE AFTER ASSEMBLY TO SECURE
3. PROLONGED EXPOSURE TO DIRECT SUNLIGHT COULD CAUSE MATERIAL BRITTLINESS.
4. NONMETALLIC SNAP-LOC SPACERS ARE DESIGNED SPECIFICALLY FOR USE WITH NONMETALLIC DUCT, WITH A MAXIMUM O.D. DIMENSIONS OF NEMA TC-2, TC-6, TC-8 AND ASTM F512.

|                 |                             |                   |                  |                 |
|-----------------|-----------------------------|-------------------|------------------|-----------------|
| S288SLN         | 8 X 3<br>(203.2 X 72.6)     | 11.755<br>(298.6) | 4.378<br>(111.2) | 7.38<br>(187.5) |
| S288SJN         | 8 X 2<br>(203.2 X 50.8)     | 10.755<br>(273.2) | 4.378<br>(111.2) | 7.38<br>(187.5) |
| S288SHN         | 8 X 1-1/2<br>(203.2 X 38.1) | 10.255<br>(260.5) | 4.378<br>(111.2) | 7.38<br>(187.5) |
| S288RLN         | 6 X 3<br>(152.4 X 76.2)     | 9.750<br>(247.7)  | 3.375<br>(85.8)  | 6.38<br>(162.1) |
| S288RJN         | 6 X 2<br>(152.4 X 50.8)     | 8.750<br>(222.3)  | 3.375<br>(85.8)  | 6.38<br>(162.1) |
| S288RHN         | 6 X 1-1/2<br>(152.4 X 38.1) | 8.250<br>(209.6)  | 3.375<br>(85.8)  | 6.38<br>(162.1) |
| S288PLN         | 5 X 3<br>(127.0 X 72.6)     | 8.690<br>(220.7)  | 2.845<br>(72.3)  | 5.84<br>(148.3) |
| S288PJN         | 5 X 2<br>(127.0 X 50.8)     | 7.690<br>(195.3)  | 2.845<br>(72.3)  | 5.84<br>(148.3) |
| S288PHN         | 5 X 1-1/2<br>(127.0 X 38.1) | 7.190<br>(182.6)  | 2.845<br>(72.3)  | 5.84<br>(148.3) |
| S288NLN         | 4 X 3<br>(101.6 X 76.2)     | 7.625<br>(193.7)  | 2.312<br>(58.7)  | 4.50<br>(114.3) |
| S288NJN         | 4 X 2<br>(101.6 X 50.8)     | 6.625<br>(168.3)  | 2.312<br>(58.7)  | 4.50<br>(114.3) |
| S288NHN         | 4 X 1-1/2<br>(101.6 X 38.1) | 6.125<br>(155.6)  | 2.312<br>(58.7)  | 4.50<br>(114.3) |
| S288NFN         | 4 X 1<br>(101.6 X 25.4)     | 5.609<br>(142.5)  | 2.312<br>(58.7)  | 4.50<br>(114.3) |
| S288LLN         | 3 X 3<br>(76.2 X 76.2)      | 6.625<br>(168.3)  | 1.812<br>(46.0)  | 4.81<br>(122.2) |
| S288LJN         | 3 X 2<br>(76.2 X 50.8)      | 5.625<br>(142.9)  | 1.812<br>(46.0)  | 4.81<br>(122.2) |
| S288LHN         | 3 X 1-1/2<br>(76.2 X 38.1)  | 5.125<br>(130.2)  | 1.812<br>(46.0)  | 4.81<br>(122.2) |
| S288JLN         | 2 X 3<br>(50.8 X 76.2)      | 5.500<br>(139.7)  | 1.250<br>(31.8)  | 4.25<br>(108.0) |
| S288JJN         | 2 X 2<br>(50.8 X 50.8)      | 4.500<br>(114.3)  | 1.250<br>(31.8)  | 4.25<br>(108.0) |
| S288JHN         | 2 X 1-1/2<br>(50.8 X 38.1)  | 4.000<br>(101.6)  | 1.250<br>(31.8)  | 4.25<br>(108.0) |
| <b>PART NO.</b> | <b>DESCRIPTION</b>          | <b>DIM 'A'</b>    | <b>DIM 'B'</b>   | <b>DIM 'C'</b>  |

|                              |  |                         |                         |                             |
|------------------------------|--|-------------------------|-------------------------|-----------------------------|
| <b>TITLE</b> SPACER - BASE   |  | <b>DRN</b> DJK 10-13-97 | <b>DATE</b> TI 10-15-97 | <b>PART NO.:</b> SEE CHART  |
| <b>LAMSON &amp; SESSIONS</b> | ALL DRAWINGS ARE THE PROPERTY OF LAMSON & SESSIONS AND SHALL NOT BE REPRODUCED IN ANY FORM WITHOUT LAMSON & SESSIONS' APPROVAL AND ARE TO BE PROMPTLY RETURNED UPON REQUEST. | <b>APP.</b>             | <b>DATE</b>             | <b>DRAWING NO.:</b> AC03236 |
|                              |  |                         |                         | <b>REV.</b> A               |