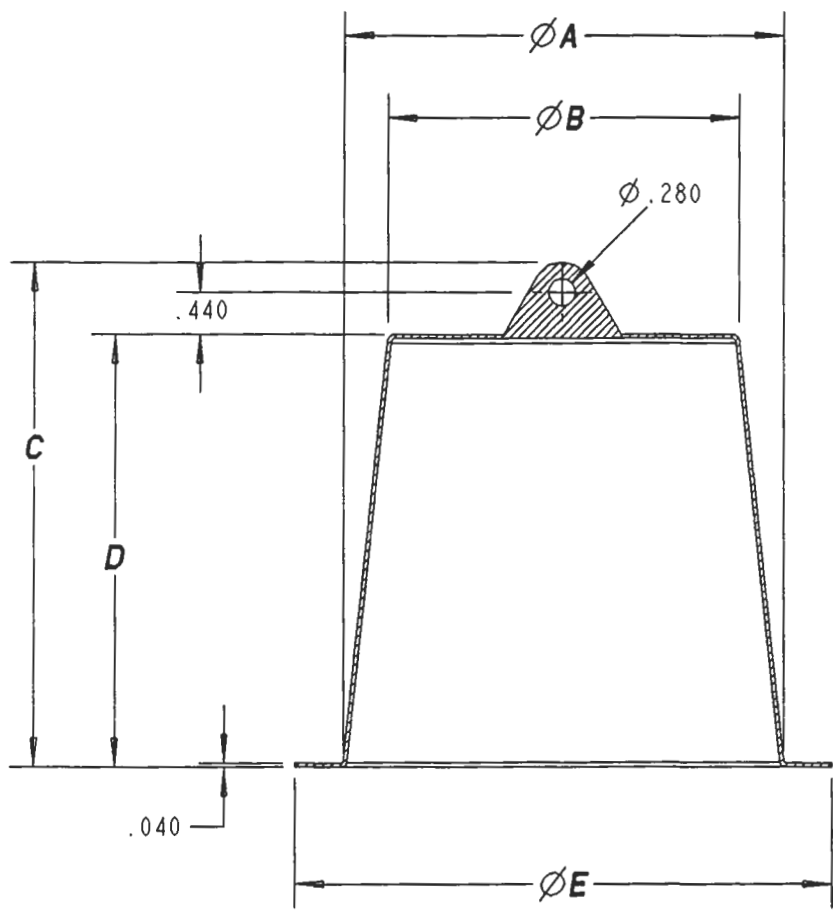


This information provided by:



Gross Automation
www.grossautomation.com

Call Toll Free:
800-349-5827



PART NUMBER	SIZE	ϕA	ϕB	C	D	ϕE
P258JT	2" [53]	2.50 [63.5]	1.80 [45.7]	4.12 [104.6]	3.38 [85.9]	3.38 [85.9]
P258LT	3" [78]	3.62 [92.0]	2.78 [70.6]	4.75 [120.7]	4.00 [101.6]	4.50 [114.3]
P258NT	4" [103]	4.63 [117.6]	3.69 [93.7]	5.25 [133.3]	4.50 [114.3]	5.63 [143.0]
P258PT	5" [129]	5.69 [144.5]	4.67 [118.6]	5.62 [142.7]	4.88 [124.0]	6.75 [171.5]
P258RT	6" [155]	6.76 [171.7]	5.61 [142.5]	6.25 [158.8]	5.50 [139.7]	7.75 [196.9]

NOTE:
DIMENSIONS IN CHART ARE IN INCHES [MILLIMETERS].

TITLE: POLYPLUG WITH PULL TAB		DRN: RO	DATE: 9/3/02	PART NO: SEE CHART
LAMSON & SESSIONS	ALL DRAWINGS ARE THE PROPERTY OF LAMSON & SESSIONS AND SHALL NOT BE REPRODUCED IN ANY FORM WITHOUT LAMSON & SESSIONS' APPROVAL AND ARE TO BE PROMPTLY RETURNED UPON REQUEST.	APP: WJL	DATE: 9/5/02	DRAWING NO: AC04227
				REV.