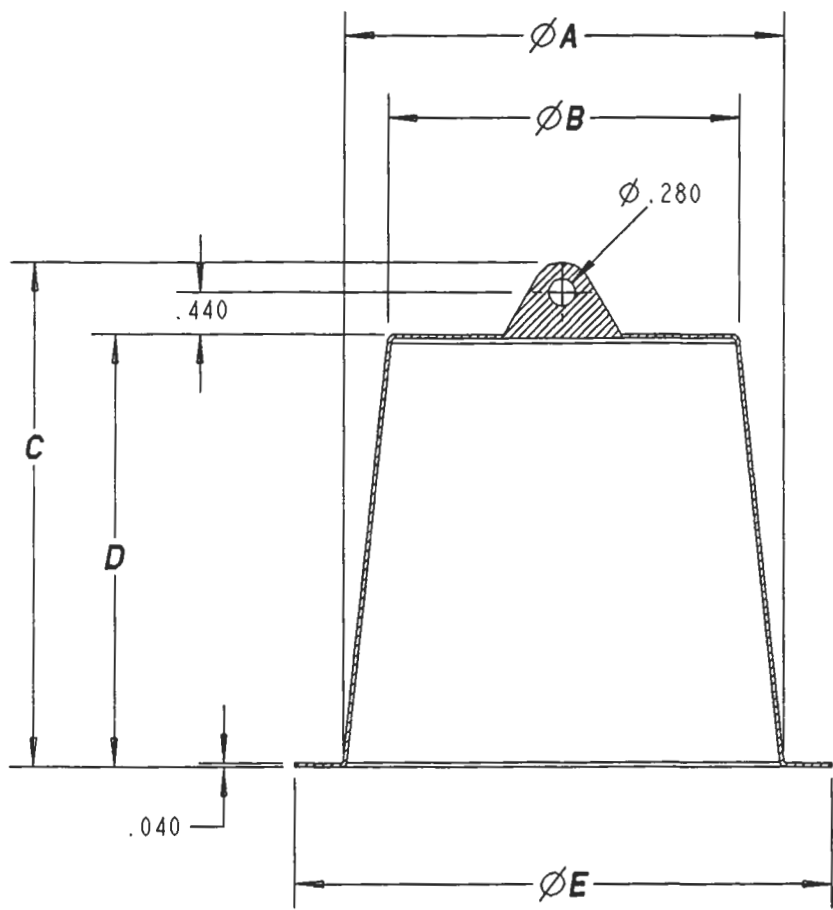


This information provided by:



Gross Automation
www.grossautomation.com

Call Toll Free:
800-349-5827



| PART NUMBER | SIZE | ϕA | ϕB | C | D | ϕE |
|-------------|----------|--------------|--------------|--------------|--------------|--------------|
| P258JT | 2" [53] | 2.50 [63.5] | 1.80 [45.7] | 4.12 [104.6] | 3.38 [85.9] | 3.38 [85.9] |
| P258LT | 3" [78] | 3.62 [92.0] | 2.78 [70.6] | 4.75 [120.7] | 4.00 [101.6] | 4.50 [114.3] |
| P258NT | 4" [103] | 4.63 [117.6] | 3.69 [93.7] | 5.25 [133.3] | 4.50 [114.3] | 5.63 [143.0] |
| P258PT | 5" [129] | 5.69 [144.5] | 4.67 [118.6] | 5.62 [142.7] | 4.88 [124.0] | 6.75 [171.5] |
| P258RT | 6" [155] | 6.76 [171.7] | 5.61 [142.5] | 6.25 [158.8] | 5.50 [139.7] | 7.75 [196.9] |

NOTE:
DIMENSIONS IN CHART ARE IN INCHES [MILLIMETERS].

| | | | | |
|-------------------------------|--|----------|--------------|---------------------|
| TITLE: POLYPLUG WITH PULL TAB | | DRN: RO | DATE: 9/3/02 | PART NO: SEE CHART |
| LAMSON & SESSIONS | ALL DRAWINGS ARE THE PROPERTY OF LAMSON & SESSIONS AND SHALL NOT BE REPRODUCED IN ANY FORM WITHOUT LAMSON & SESSIONS' APPROVAL AND ARE TO BE PROMPTLY RETURNED UPON REQUEST. | APP: WJL | DATE: 9/5/02 | DRAWING NO: AC04227 |
| | | | | REV. |