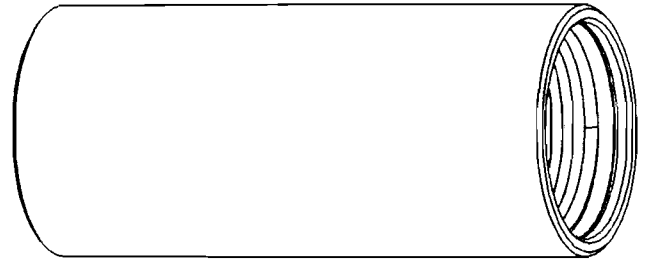


This information provided by:

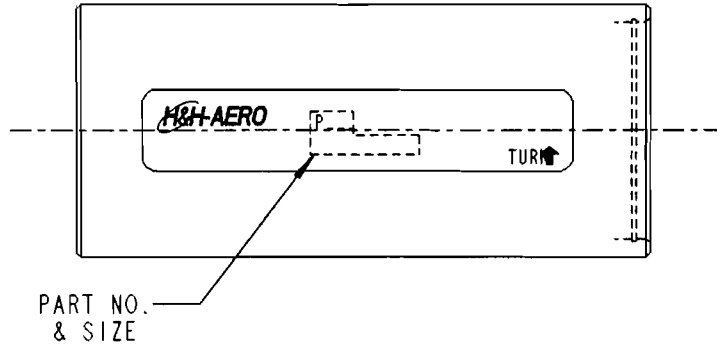
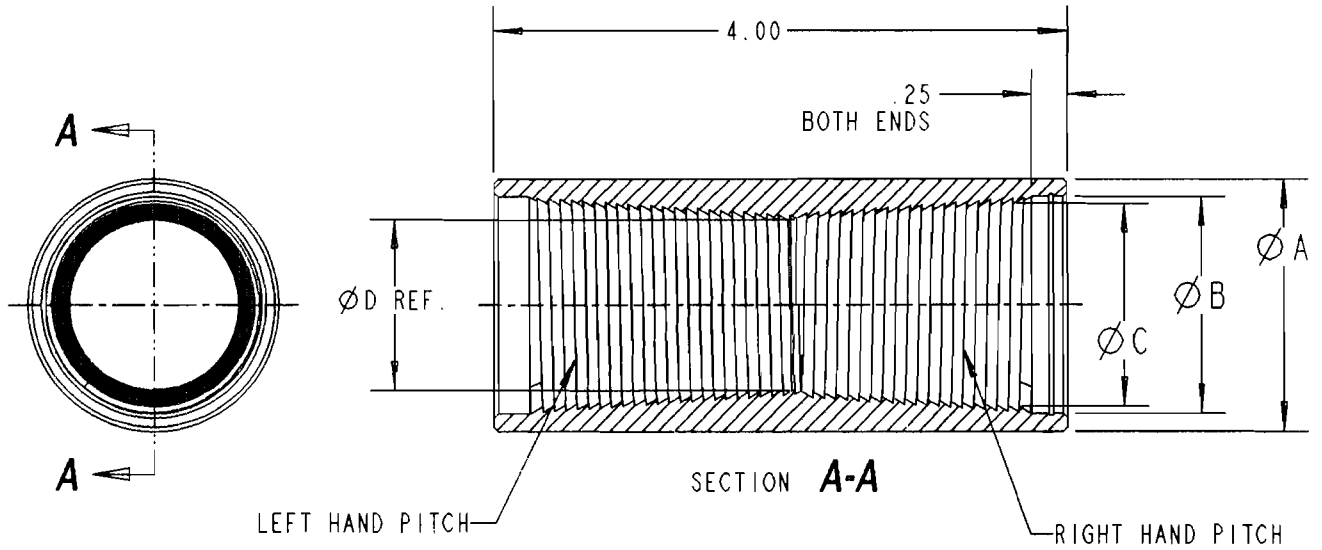


Gross Automation
www.grossautomation.com

Call Toll Free:
800-349-5827



SCALE 0.750



PART NO. & SIZE

| | | | | | |
|----------|----------------|----------------|----------------|--------------|----------------|
| P200 | 2.75 [69.9] | 2.57 [65.3] | 2.48 [63.0] | 2" [53] | 2.25 [57.2] |
| P150CPLR | 2.25 [57.2] | 2.12 [53.7] | 2.02 [51.3] | 1-1/2" [41] | 1.80 [45.6] |
| P125 | 2.00 [50.8] | 1.78 [45.1] | 1.68 [42.7] | 1-1/4" [35] | 1.46 [37.0] |
| P100 | 1.75 [44.5] | 1.51 [38.3] | 1.41 [35.8] | 1" [27] | 1.19 [30.1] |
| PART NO. | Ø A | Ø B | Ø C ±.01 | CONDUIT SIZE | Ø D |

| | | | | | |
|-------------------------|--|------------------|---------------|----------------------|------|
| TITLE: ALUMINUM COUPLER | | DRN: RD | DATE: 4/12/05 | PART NO.: SEE CHART | REV. |
| LAMSON & SESSIONS | ALL DRAWINGS ARE THE PROPERTY OF LAMSON & SESSIONS AND SHALL NOT BE REPRODUCED IN ANY FORM WITHOUT LAMSON & SESSIONS' APPROVAL AND ARE TO BE PROMPTLY RETURNED UPON REQUEST. | APP: [Signature] | DATE: 4/12/05 | DRAWING NO.: AC04721 | |