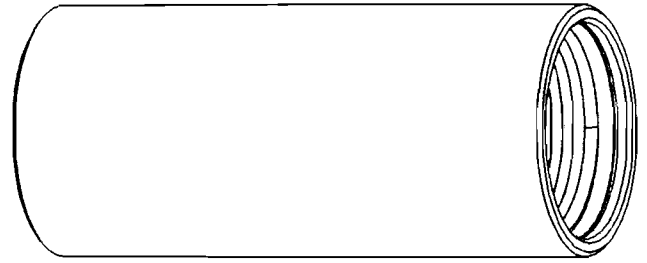


This information provided by:

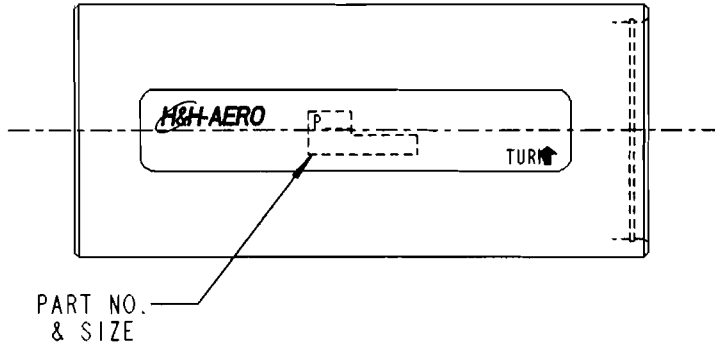
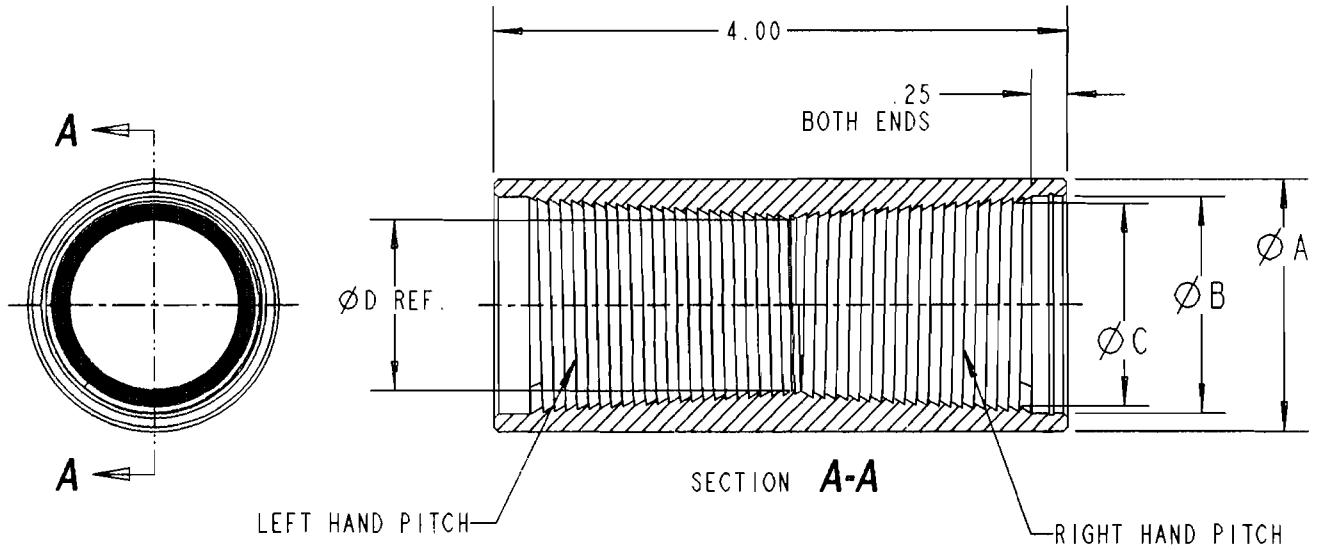


Gross Automation
www.grossautomation.com

Call Toll Free:
800-349-5827



SCALE 0.750



PART NO. & SIZE

P200	2.75 [69.9]	2.57 [65.3]	2.48 [63.0]	2" [53]	2.25 [57.2]
P150CPLR	2.25 [57.2]	2.12 [53.7]	2.02 [51.3]	1-1/2" [41]	1.80 [45.6]
P125	2.00 [50.8]	1.78 [45.1]	1.68 [42.7]	1-1/4" [35]	1.46 [37.0]
P100	1.75 [44.5]	1.51 [38.3]	1.41 [35.8]	1" [27]	1.19 [30.1]
PART NO.	Ø A	Ø B	Ø C ±.01	CONDUIT SIZE	Ø D

TITLE: ALUMINUM COUPLER		DRN: RD	DATE: 4/12/05	PART NO.: SEE CHART	REV.
LAMSON & SESSIONS	ALL DRAWINGS ARE THE PROPERTY OF LAMSON & SESSIONS AND SHALL NOT BE REPRODUCED IN ANY FORM WITHOUT LAMSON & SESSIONS' APPROVAL AND ARE TO BE PROMPTLY RETURNED UPON REQUEST.	APP: [Signature]	DATE: 4/12/05	DRAWING NO.: AC04721	