

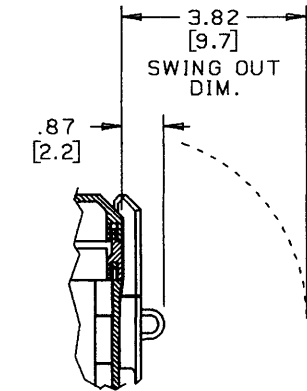
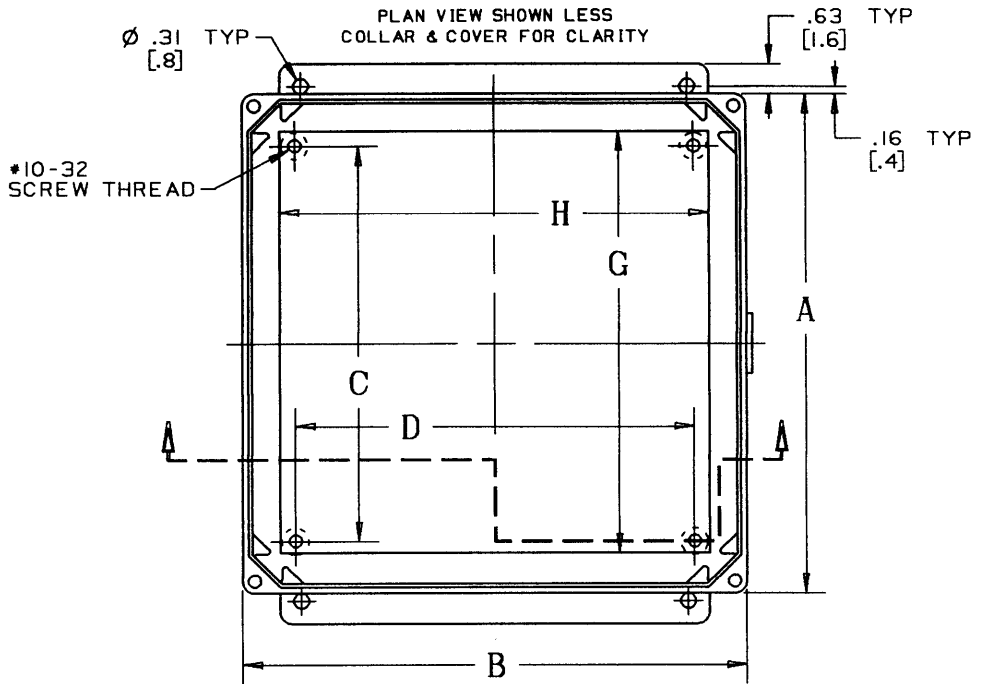
This information provided by:



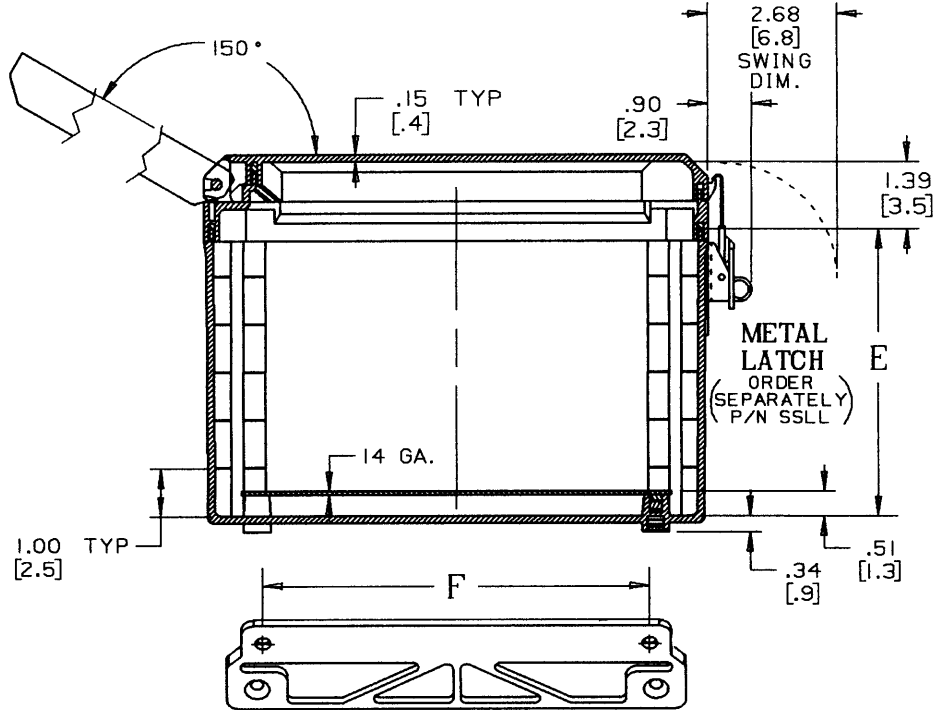
Gross Automation  
[www.grossautomation.com](http://www.grossautomation.com)

Call Toll Free:  
**800-349-5827**

| SIZE   | BACK PANEL       |                  |
|--------|------------------|------------------|
|        | G                | H                |
| JP64   | 4.88<br>(124.0)  | 2.88<br>(73.2)   |
| JP66   | 4.88<br>(124.0)  | 4.88<br>(124.0)  |
| JP86   | 6.75<br>(171.5)  | 4.88<br>(124.0)  |
| JP88   | 6.75<br>(171.5)  | 6.88<br>(174.8)  |
| JPI08  | 8.75<br>(222.3)  | 6.88<br>(174.8)  |
| JPI010 | 8.75<br>(222.3)  | 8.88<br>(225.6)  |
| JPI210 | 10.75<br>(273.1) | 8.88<br>(225.6)  |
| JPI212 | 10.75<br>(273.1) | 10.88<br>(276.4) |
| JPI412 | 12.75<br>(323.9) | 10.88<br>(276.4) |
| JPI614 | 14.75<br>(374.6) | 12.88<br>(327.2) |



**PLASTIC LATCH**  
(ORDER SEPARATELY)  
P/N NPLIL



**LEGEND EXAMPLE**

N I 644  
 — ENCLOSURE SIZE  
 — COVER TYPE  
 I-CLEAR COVER W/O LATCH  
 H-OPAQUE COVER W/O LATCH  
 — NEMA TYPE I-3-35-12-4/4X

NOTES:  
 I. ALL DIMENSIONS ARE INCHES AND (MILLIMETERS).

| SIZE    | A             | B            | C            | D            | E            | F            |
|---------|---------------|--------------|--------------|--------------|--------------|--------------|
| -- 644  | 6.42 (163.1)  | 4.41 (112.0) | 4.25 (108.0) | 2.25 (57.2)  | 4.00 (101.6) | 2.00 (50.8)  |
| -- 664  | 6.42 (163.1)  | 6.42 (163.1) | 4.25 (108.0) | 4.25 (108.0) | 4.00 (101.6) | 4.00 (101.6) |
| -- 864  | 8.42 (213.9)  | 6.42 (163.1) | 6.25 (158.8) | 4.25 (108.0) | 4.00 (101.6) | 4.00 (101.6) |
| -- 884  | 8.42 (213.9)  | 8.42 (213.9) | 6.25 (158.8) | 6.25 (158.8) | 4.00 (101.6) | 6.00 (152.4) |
| -- 1084 | 10.42 (264.7) | 8.42 (213.9) | 8.25 (209.6) | 6.25 (158.8) | 4.00 (101.6) | 6.00 (152.4) |

| SIZE    | A             | B             | C             | D             | E            | F             |
|---------|---------------|---------------|---------------|---------------|--------------|---------------|
| --1086  | 10.42 (264.7) | 8.42 (213.9)  | 8.25 (209.6)  | 6.25 (158.8)  | 6.00 (152.4) | 6.00 (152.4)  |
| --10106 | 10.42 (264.7) | 10.42 (264.7) | 8.25 (209.6)  | 8.25 (209.6)  | 6.00 (152.4) | 8.00 (203.2)  |
| --12106 | 12.42 (315.5) | 10.42 (264.7) | 10.25 (260.4) | 8.25 (209.6)  | 6.00 (152.4) | 8.00 (203.2)  |
| --12126 | 12.42 (315.5) | 12.42 (315.5) | 10.25 (260.4) | 10.25 (260.4) | 6.00 (152.4) | 10.00 (254.0) |
| --14126 | 14.42 (366.3) | 12.42 (315.5) | 12.25 (311.2) | 10.25 (260.4) | 6.00 (152.4) | 10.00 (254.0) |
| --16146 | 16.42 (417.1) | 14.42 (366.3) | 14.25 (362.0) | 12.25 (311.2) | 6.00 (152.4) | 12.00 (304.8) |

TITLE: HIDDEN HINGE ENCLOSURES

LAMSON & SESSIONS

ALL DRAWINGS ARE THE PROPERTY OF LAMSON & SESSIONS AND SHALL NOT BE REPRODUCED IN ANY FORM WITHOUT LAMSON & SESSIONS' APPROVAL AND ARE TO BE PROMPTLY RETURNED UPON REQUEST.

DRN. DATE  
 RG 12/6/94

APP. DATE  
 DK 6/24/97

PART NO:

NH/NI SERIES

DRAWING NO:

AC02094

REV. B