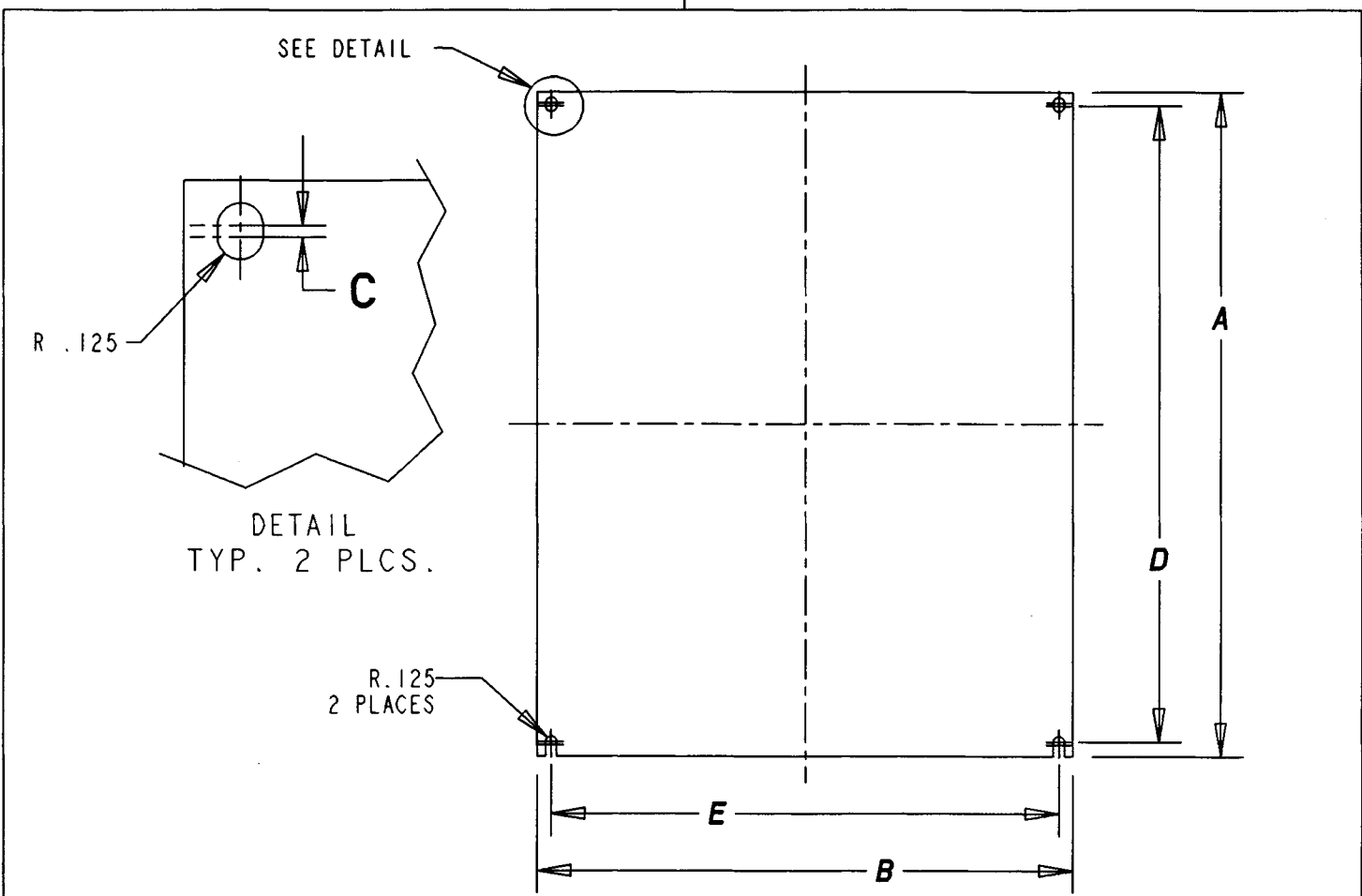


This information provided by:



Gross Automation  
[www.grossautomation.com](http://www.grossautomation.com)

Call Toll Free:  
**800-349-5827**



STEEL PLATE CRS 10 18/1008		NON- METALLIC TYPE 2, ANSI 61 GREY		NOTE: CHART DIMENSIONS ARE: INCHES [mm]				
PART NUMBER	THICKNESS	PART NUMBER	THICKNESS	A	B	C	D	E
JP44	.075 (14 GA.)	JP44P	.25 [6] PVC	3.00 [76]	3.00 [76]	--	2.38 [60]	2.38 [60]
JP64	.075 (14 GA.)	JP64P	.25 [6] PVC	4.88 [124]	2.88 [73]	--	4.25 [108]	2.25 [57]
JP66	.075 (14 GA.)	JP66P	.25 [6] PVC	4.88 [124]	4.88 [124]	--	4.25 [108]	4.25 [108]
JP86	.075 (14 GA.)	JP86P	.25 [6] PVC	6.75 [171]	4.88 [124]	.063 [1.6]	6.12 [155]	4.25 [108]
JP88	.075 (14 GA.)	JP88P	.25 [6] PVC	6.75 [171]	6.88 [175]	.063 [1.6]	6.12 [155]	6.25 [159]
JP108	.075 (14 GA.)	JP108P	.25 [6] PVC	8.75 [222]	6.88 [175]	.063 [1.6]	8.12 [206]	6.25 [159]
JP1010	.075 (14 GA.)	JP1010P	.25 [6] PVC	8.75 [222]	8.88 [226]	.063 [1.6]	8.12 [206]	8.25 [210]
JP1210	.075 (14 GA.)	JP1210P	.25 [6] PVC	10.75 [273]	8.88 [226]	.063 [1.6]	10.12 [257]	8.25 [210]
JP1212	.075 (14 GA.)	JP1212P	.25 [6] PVC	10.75 [273]	10.88 [276]	.063 [1.6]	10.12 [257]	10.25 [260]
JP1412	.075 (14 GA.)	JP1412P	.25 [6] PVC	12.75 [324]	10.88 [276]	.063 [1.6]	12.12 [308]	10.25 [260]
JP1614	.075 (14 GA.)	JP1614P	.25 [6] PVC	14.75 [375]	12.88 [327]	.063 [1.6]	14.12 [359]	12.25 [311]

TITLE BACK PANELS - JC & JP SERIES		DRN DPR APP.	DATE 1/10/03 DATE	PART NO: <b>SEE CHART</b>	DRAWING NO: <b>AC04208</b>	REV. <b>A</b>
LAMSON & SESSIONS		ALL DRAWINGS ARE THE PROPERTY OF LAMSON & SESSIONS AND SHALL NOT BE REPRODUCED IN ANY FORM WITHOUT LAMSON & SESSIONS' APPROVAL AND ARE TO BE PROMPTLY RETURNED UPON REQUEST.				