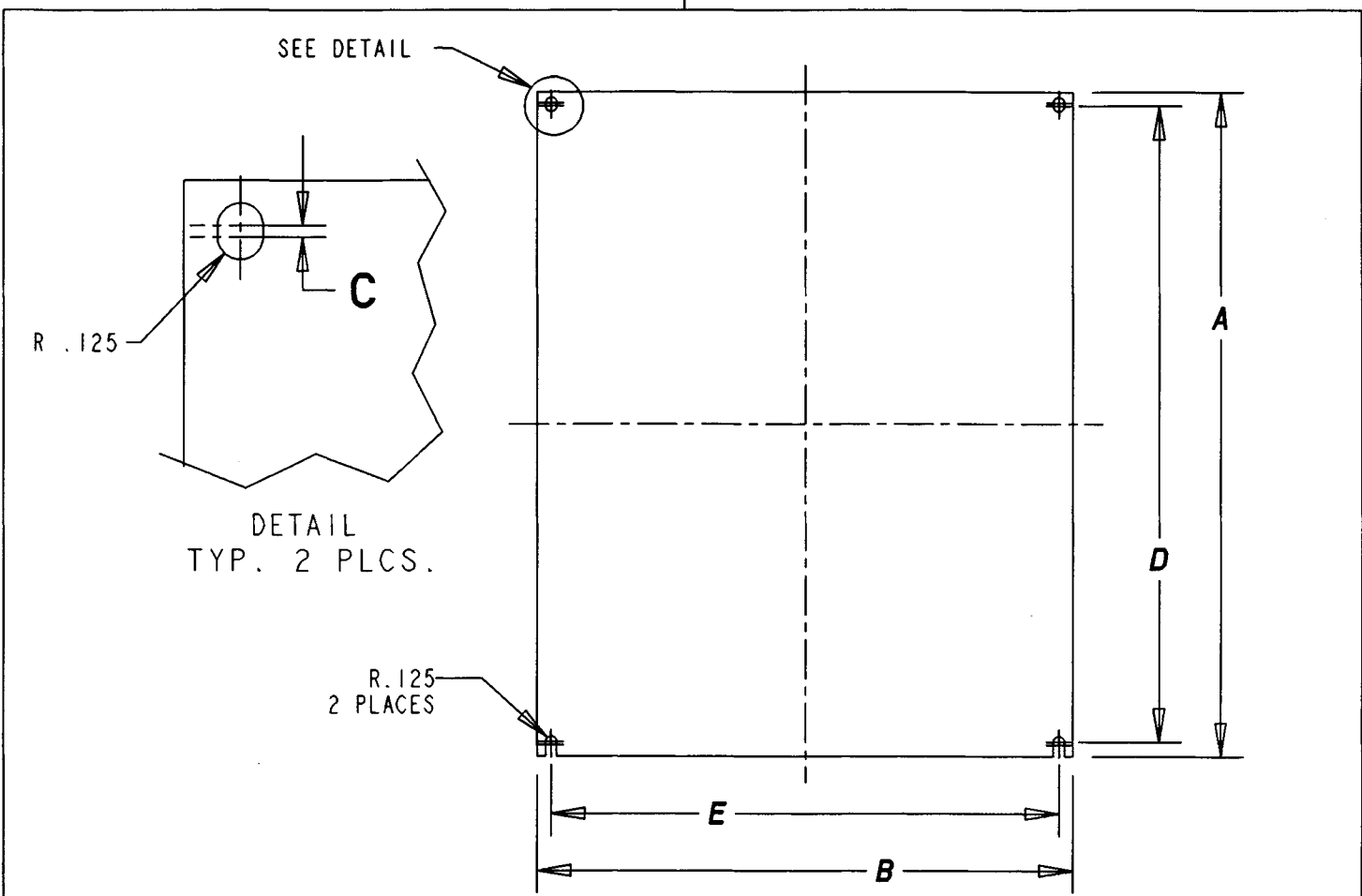


This information provided by:



Gross Automation
www.grossautomation.com

Call Toll Free:
800-349-5827



| STEEL PLATE CRS 10 18/1008 | | NON-METALLIC TYPE 2, ANSI 61 GREY | | NOTE: CHART DIMENSIONS ARE: INCHES [mm] | | | | |
|-------------------------------|---------------|--------------------------------------|-------------|--|-------------|------------|-------------|-------------|
| PART NUMBER | THICKNESS | PART NUMBER | THICKNESS | A | B | C | D | E |
| JP44 | .075 (14 GA.) | JP44P | .25 [6] PVC | 3.00 [76] | 3.00 [76] | -- | 2.38 [60] | 2.38 [60] |
| JP64 | .075 (14 GA.) | JP64P | .25 [6] PVC | 4.88 [124] | 2.88 [73] | -- | 4.25 [108] | 2.25 [57] |
| JP66 | .075 (14 GA.) | JP66P | .25 [6] PVC | 4.88 [124] | 4.88 [124] | -- | 4.25 [108] | 4.25 [108] |
| JP86 | .075 (14 GA.) | JP86P | .25 [6] PVC | 6.75 [171] | 4.88 [124] | .063 [1.6] | 6.12 [155] | 4.25 [108] |
| JP88 | .075 (14 GA.) | JP88P | .25 [6] PVC | 6.75 [171] | 6.88 [175] | .063 [1.6] | 6.12 [155] | 6.25 [159] |
| JP108 | .075 (14 GA.) | JP108P | .25 [6] PVC | 8.75 [222] | 6.88 [175] | .063 [1.6] | 8.12 [206] | 6.25 [159] |
| JP1010 | .075 (14 GA.) | JP1010P | .25 [6] PVC | 8.75 [222] | 8.88 [226] | .063 [1.6] | 8.12 [206] | 8.25 [210] |
| JP1210 | .075 (14 GA.) | JP1210P | .25 [6] PVC | 10.75 [273] | 8.88 [226] | .063 [1.6] | 10.12 [257] | 8.25 [210] |
| JP1212 | .075 (14 GA.) | JP1212P | .25 [6] PVC | 10.75 [273] | 10.88 [276] | .063 [1.6] | 10.12 [257] | 10.25 [260] |
| JP1412 | .075 (14 GA.) | JP1412P | .25 [6] PVC | 12.75 [324] | 10.88 [276] | .063 [1.6] | 12.12 [308] | 10.25 [260] |
| JP1614 | .075 (14 GA.) | JP1614P | .25 [6] PVC | 14.75 [375] | 12.88 [327] | .063 [1.6] | 14.12 [359] | 12.25 [311] |

| | | | | | |
|---------------------------------------|--|--|-------------------------|-------------------------------|------------------|
| TITLE BACK PANELS - JC & JP SERIES | | DRN DPR APP. | DATE 1/10/03 DATE | PART NO: SEE CHART | REV. A |
| LAMSON & SESSIONS | | ALL DRAWINGS ARE THE PROPERTY OF LAMSON & SESSIONS AND SHALL NOT BE REPRODUCED IN ANY FORM WITHOUT LAMSON & SESSIONS' APPROVAL AND ARE TO BE PROMPTLY RETURNED UPON REQUEST. | | DRAWING NO: AC04208 | |