

This information provided by:

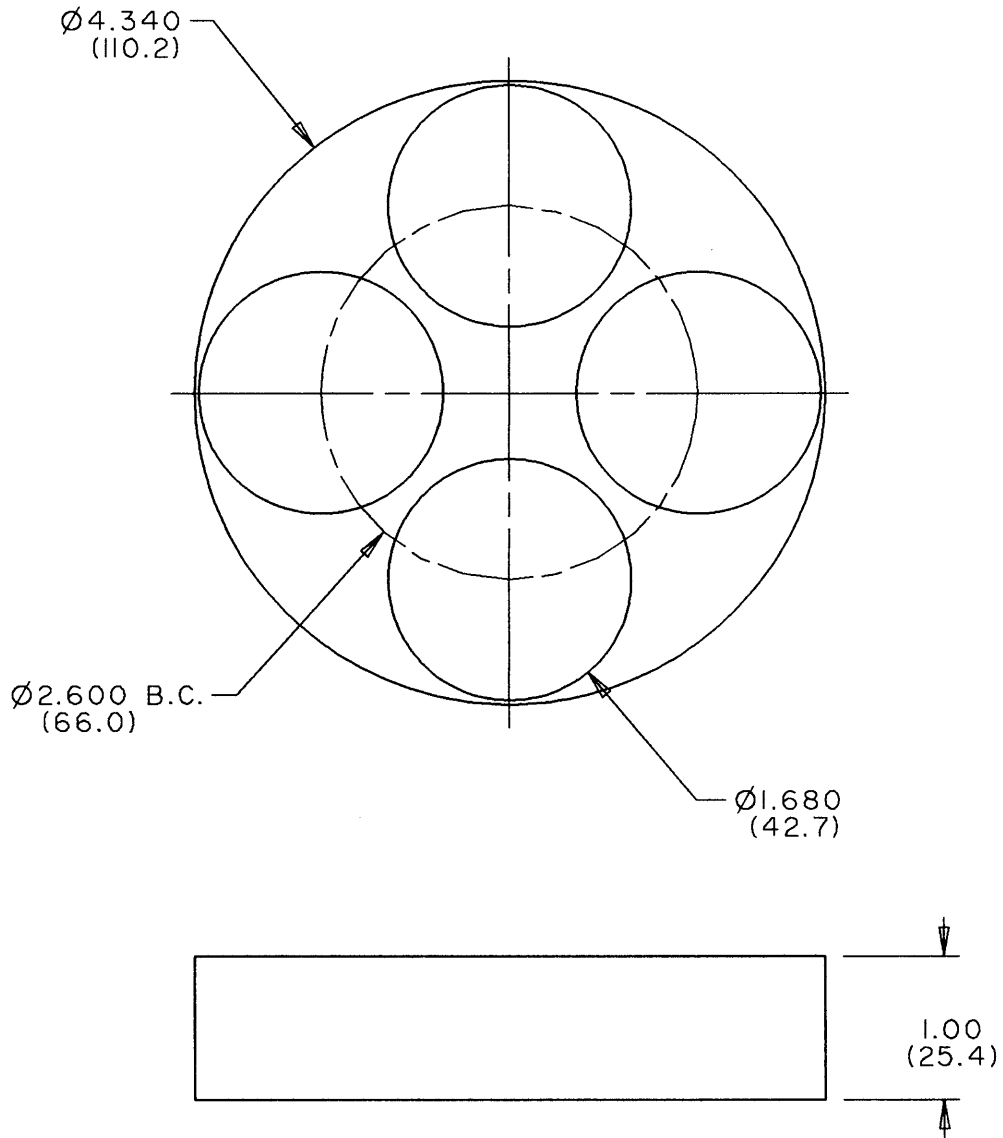


Gross Automation
www.grossautomation.com

Call Toll Free:
800-349-5827

CATALOG NUMBER

IRS4



NOTE: ALL DIMENSIONS ARE IN INCHES (MM)

TITLE: 4-WAY INTRA-GARD TERMINATOR SPACER

DRN. DATE
KJS 9-17-92

PART NO:

LAMSON & SESSIONS

ALL DRAWINGS ARE THE PROPERTY OF LAMSON & SESSIONS AND SHALL NOT BE REPRODUCED IN ANY FORM WITHOUT LAMSON & SESSIONS' APPROVAL AND ARE TO BE PROMPTLY RETURNED UPON REQUEST.

APP. DATE
KEF 3-4-97

DRAWING NO:

AC01156

REV.
A