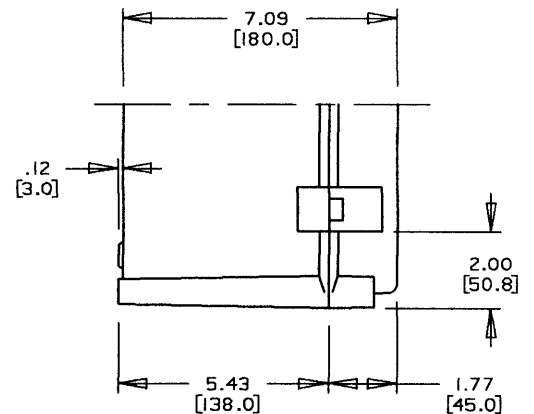
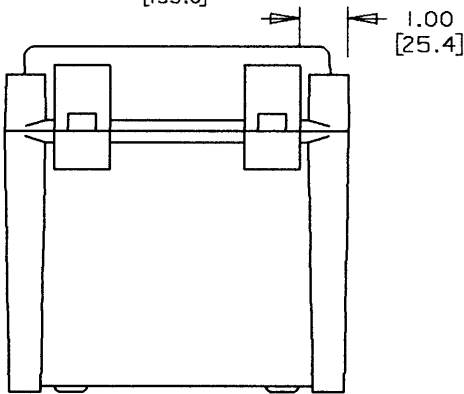
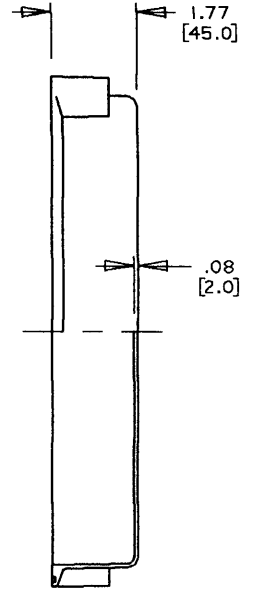
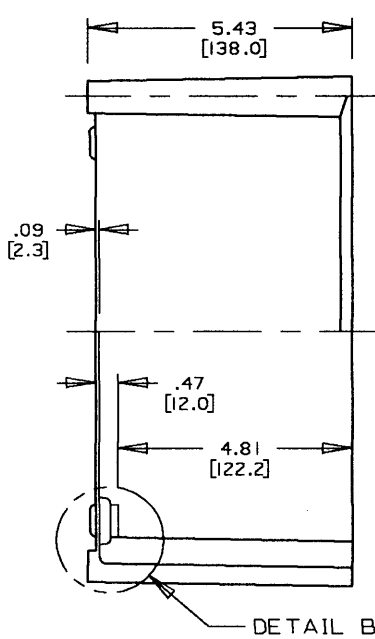
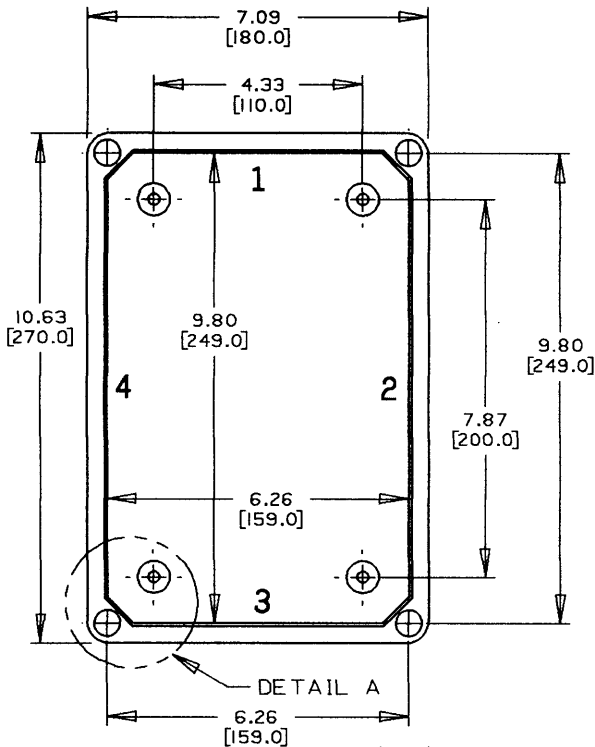


This information provided by:



Gross Automation
www.grossautomation.com

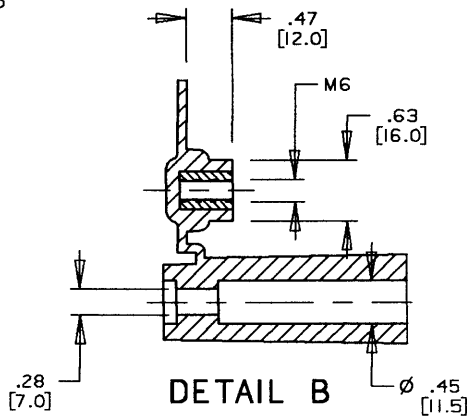
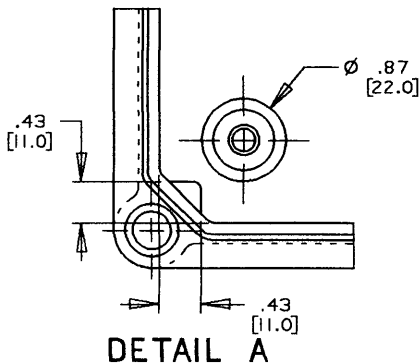
Call Toll Free:
800-349-5827



PLACEMENT OF P/N HSEH (HINGE KIT) AT TOP AND BOTTOM OF SHORT SIDE OF "HH7A7S" OF "HH" SERIES ENCLOSURES

LOW LID BOX

PLACEMENT OF P/N HSEH (HINGE KIT) AT TOP AND BOTTOM OF LONG SIDE OF "HH" SERIES ENCLOSURES



NOTE:
1. DIMENSIONS ARE INCH/METRIC(MM)

PART NO.	DESCRIPTION
HS7A7	OPAQUE SCREW COVER
HS7A7C	CLEAR SCREW COVER
HS7A7F	FRP SCREW COVER
HH7A7	OPAQUE HINGE COVER
HH7A7C	CLEAR HINGE COVER
HH7A7F	FRP HINGE COVER
HH7A7S	HINGE ON SHORT SIDE

TITLE: HIMELINE ENCLOSURES - HS SERIES

DRN. DATE
DJK 12-22-97

PART NO:

SEE CHART

LAMSON & SESSIONS

ALL DRAWINGS ARE THE PROPERTY OF LAMSON & SESSIONS AND SHALL NOT BE REPRODUCED IN ANY FORM WITHOUT LAMSON & SESSIONS' APPROVAL AND ARE TO BE PROMPTLY RETURNED UPON REQUEST.

APP. DATE
GDT 12/22/97

DRAWING NO:

AC02684

REV.
A