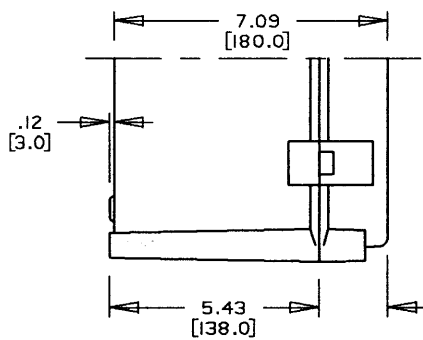
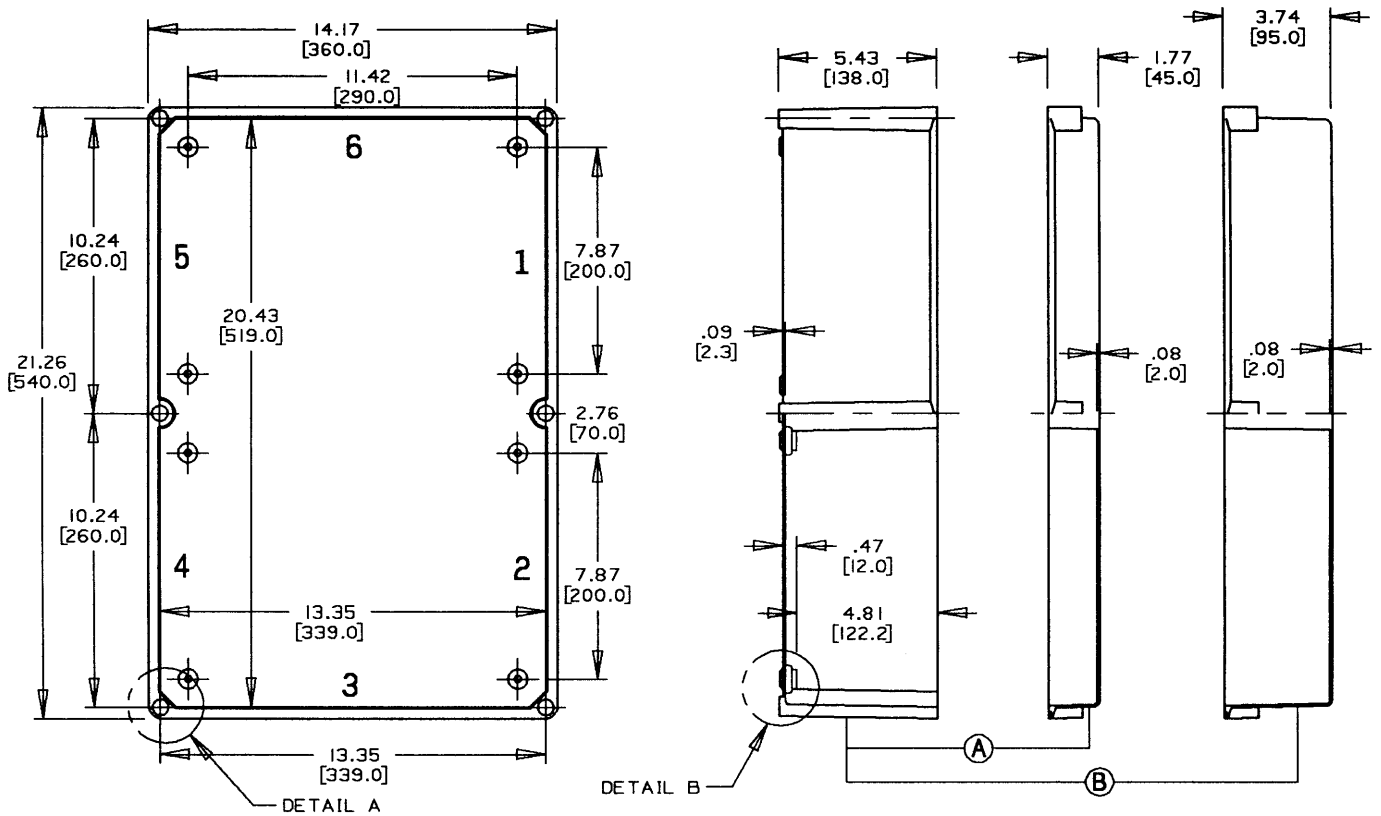


This information provided by:

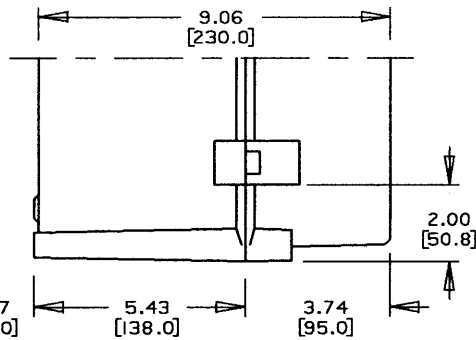


Gross Automation
www.grossautomation.com

Call Toll Free:
800-349-5827

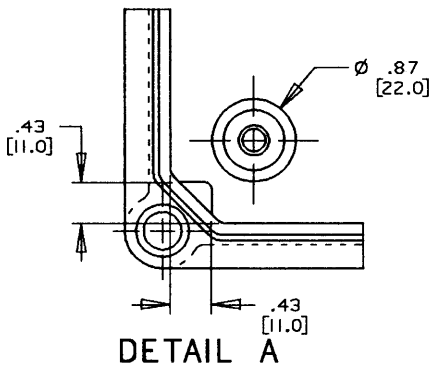


LOW LID BOX

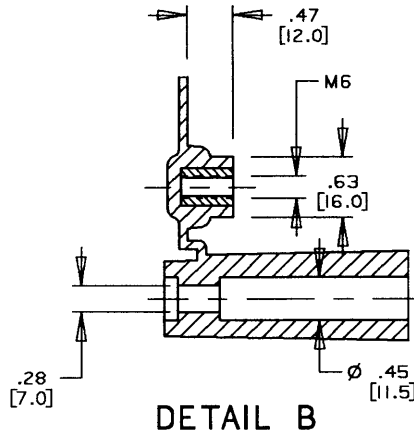


HIGH LID BOX

PLACEMENT OF PART
P/N HSEH HINGE KIT
AT TOP AND BOTTOM
OF LONG SIDE OF
"HH" SERIES
ENCLOSURES



DETAIL A



DETAIL B

NOTE:
1. DIMENSIONS ARE INCH/METRIC(MM)

PART NO.	DESCRIPTION	BOX/LID
HS15C7	OPAQUE SCREW COVER	A
HS15C7C	CLEAR SCREW COVER	A
HS15C7F	FRP SCREW COVER	A
HH15C7	OPAQUE HINGE COVER	A
HH15C7C	CLEAR HINGE COVER	A
HH15C7F	FRP HINGE COVER	A
HS15C9	OPAQUE SCREW COVER	B
HS15C9C	CLEAR SCREW COVER	B
HH15C9	OPAQUE HINGE COVER	B
HH15C9C	CLEAR HINGE COVER	B

TITLE: HIMELINE ENCLOSURES - HS SERIES

LAMSON & SESSIONS

ALL DRAWINGS ARE THE PROPERTY OF LAMSON & SESSIONS AND SHALL NOT BE REPRODUCED IN ANY FORM WITHOUT LAMSON & SESSIONS' APPROVAL AND ARE TO BE PROMPTLY RETURNED UPON REQUEST.

DRN. DATE
DPR 7-9-96

APP. DATE
PB 7-11-96

PART NO:

SEE CHART

DRAWING NO:

AC02688

REV.