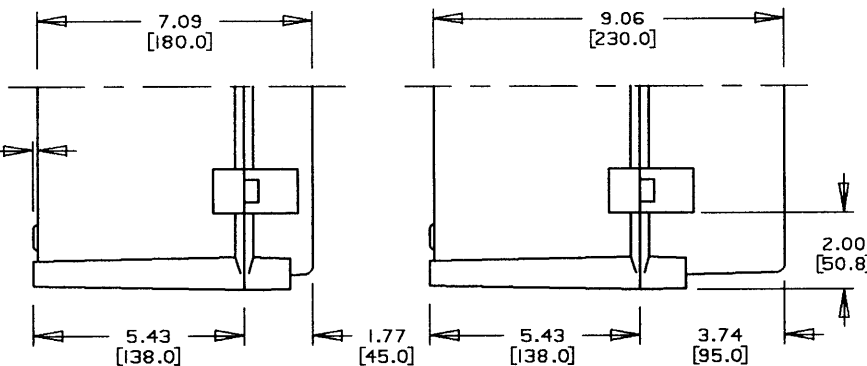
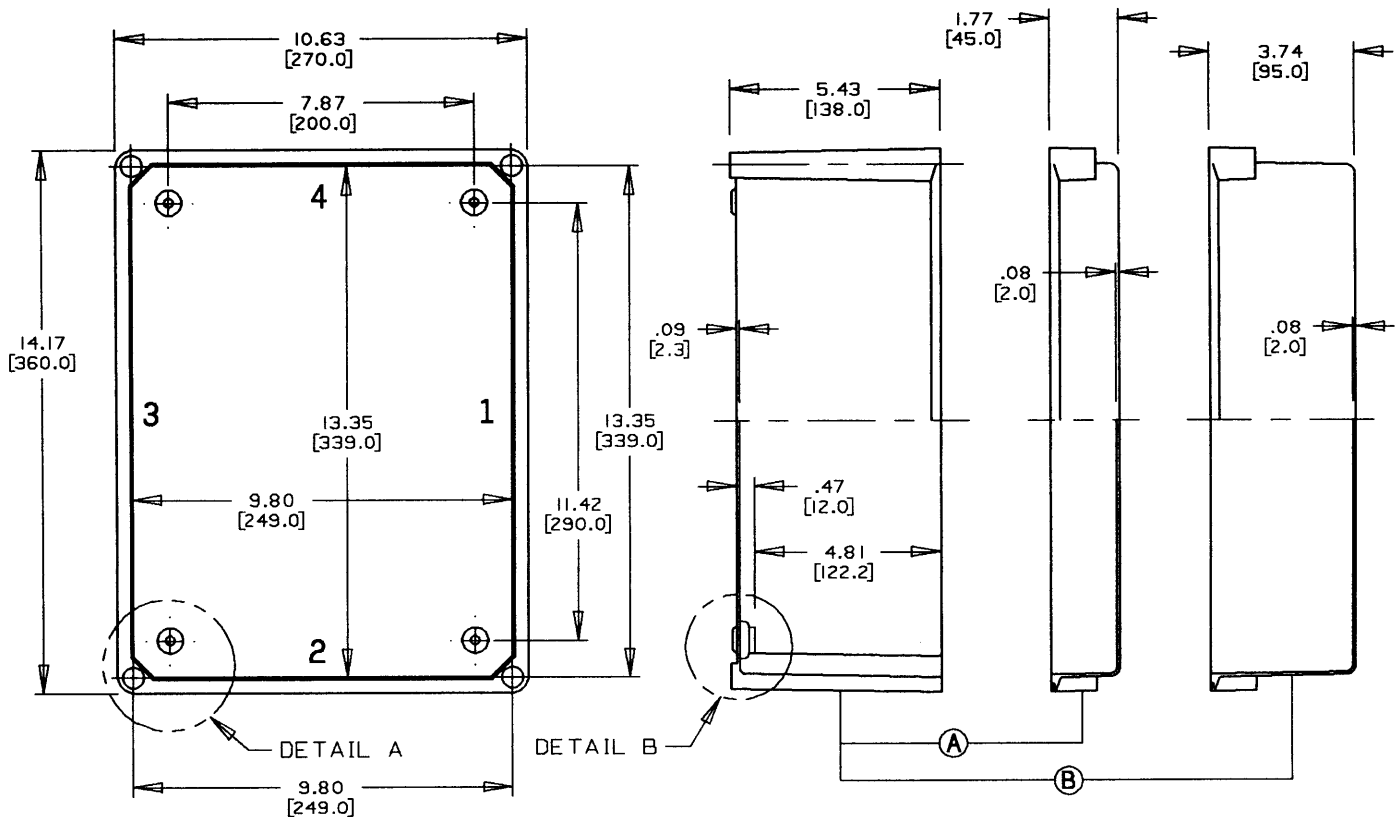


This information provided by:



Gross Automation
www.grossautomation.com

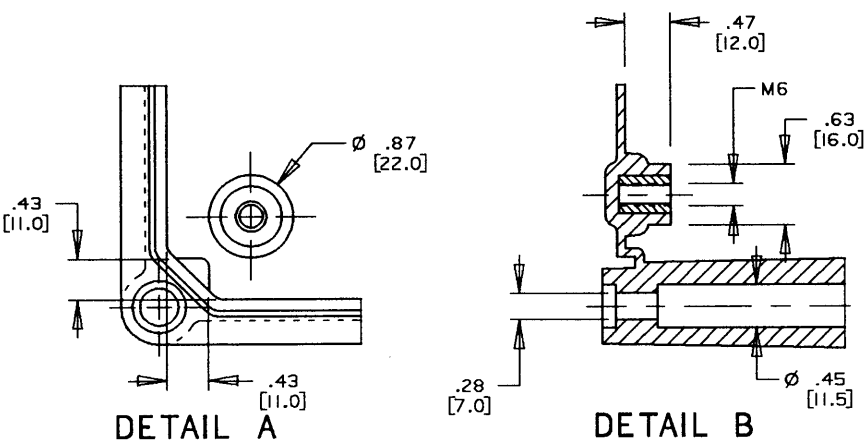
Call Toll Free:
800-349-5827



PLACEMENT OF PART
P/N HSEH HINGE KIT
AT TOP AND BOTTOM
OF LONG SIDE OF
"HH" SERIES
ENCLOSURES

LOW LID BOX

HIGH LID BOX



DETAIL A

DETAIL B

NOTE:
1. DIMENSIONS ARE INCH/METRIC(MM)

PART NO.	DESCRIPTION	BOX/LID
HS11B7	OPAQUE SCREW COVER	A
HS11B7C	CLEAR SCREW COVER	A
HS11B7F	FRP SCREW COVER	A
HH11B7	OPAQUE HINGE COVER	A
HH11B7C	CLEAR HINGE COVER	A
HH11B7F	FRP HINGE COVER	A
HS11B9	OPAQUE SCREW COVER	B
HS11B9C	CLEAR SCREW COVER	B
HH11B9	OPAQUE HINGE COVER	B
HH11B9C	CLEAR HINGE COVER	B