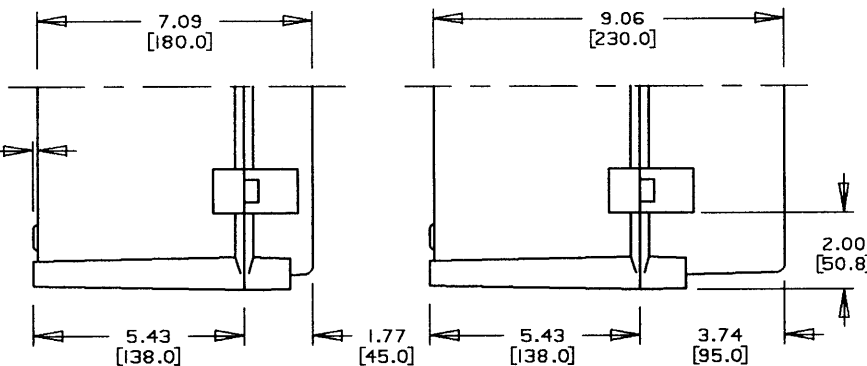
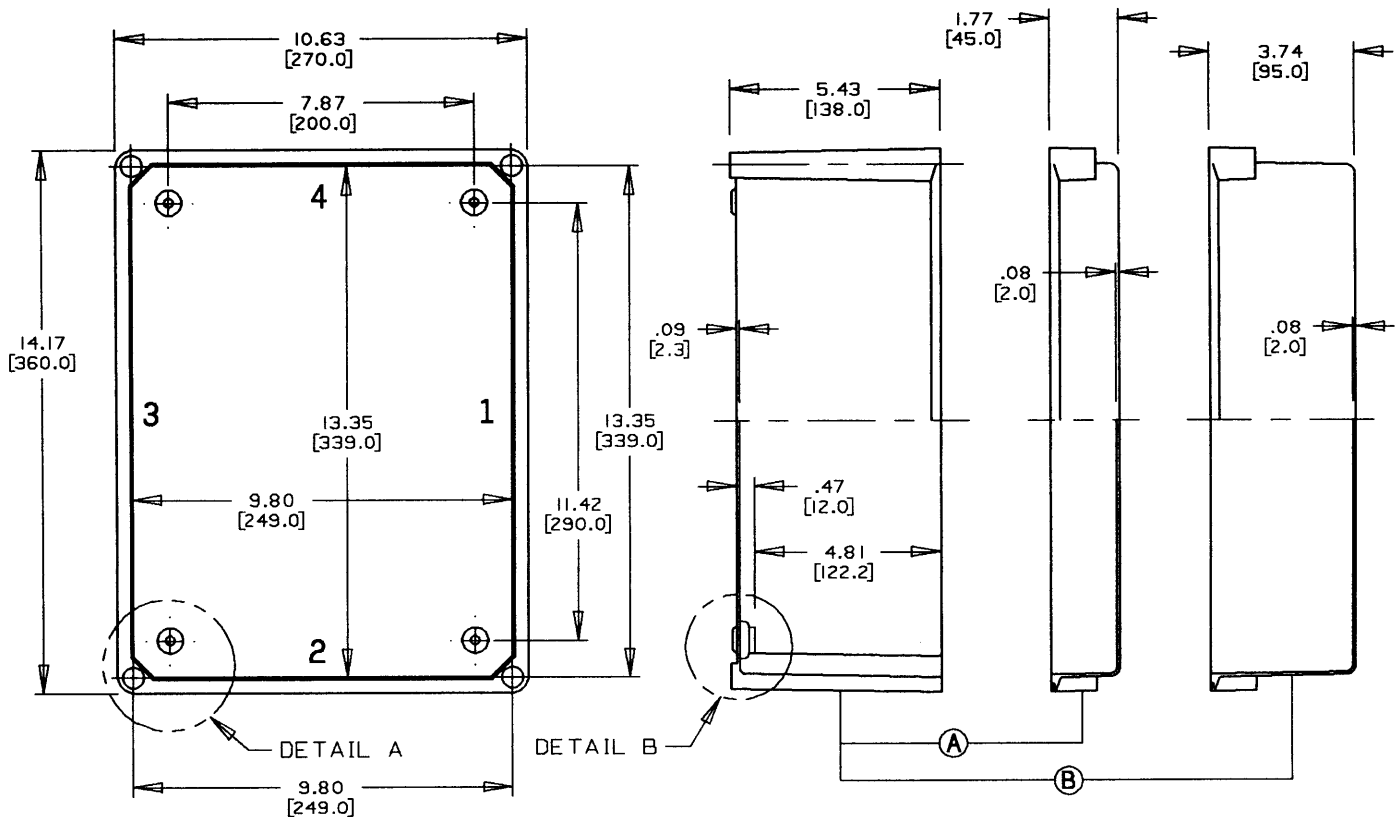


This information provided by:



Gross Automation  
[www.grossautomation.com](http://www.grossautomation.com)

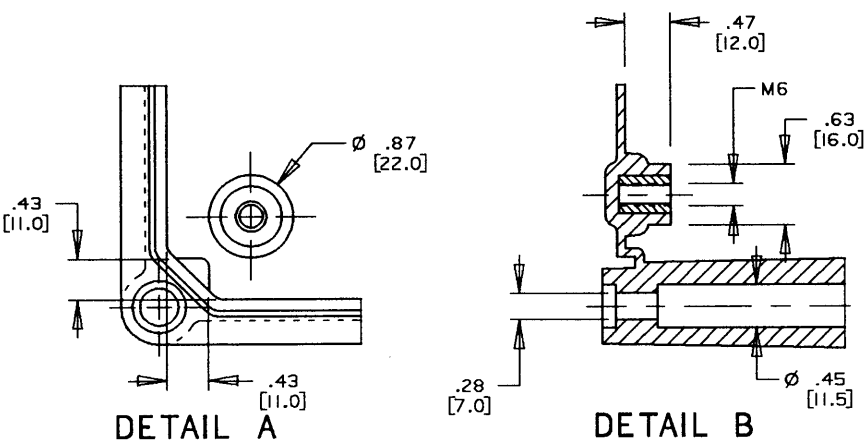
Call Toll Free:  
**800-349-5827**



PLACEMENT OF PART  
P/N HSEH HINGE KIT  
AT TOP AND BOTTOM  
OF LONG SIDE OF  
"HH" SERIES  
ENCLOSURES

LOW LID BOX

HIGH LID BOX



DETAIL A

DETAIL B

NOTE:  
1. DIMENSIONS ARE INCH/METRIC(MM)

PART NO.	DESCRIPTION	BOX/LID
HS11B7	OPAQUE SCREW COVER	A
HS11B7C	CLEAR SCREW COVER	A
HS11B7F	FRP SCREW COVER	A
HH11B7	OPAQUE HINGE COVER	A
HH11B7C	CLEAR HINGE COVER	A
HH11B7F	FRP HINGE COVER	A
HS11B9	OPAQUE SCREW COVER	B
HS11B9C	CLEAR SCREW COVER	B
HH11B9	OPAQUE HINGE COVER	B
HH11B9C	CLEAR HINGE COVER	B