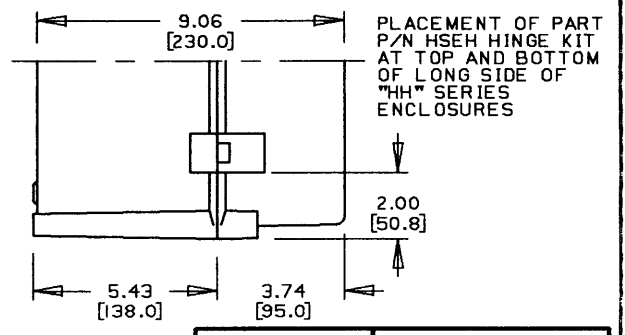
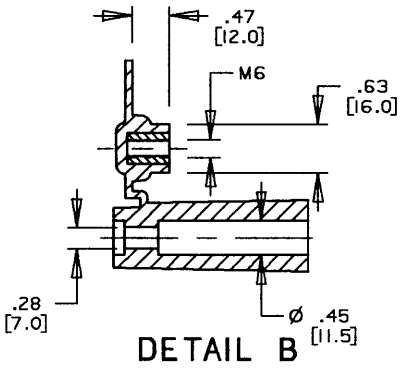
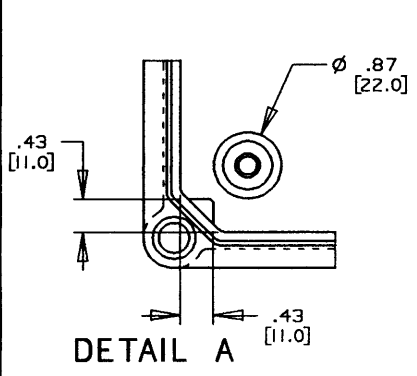
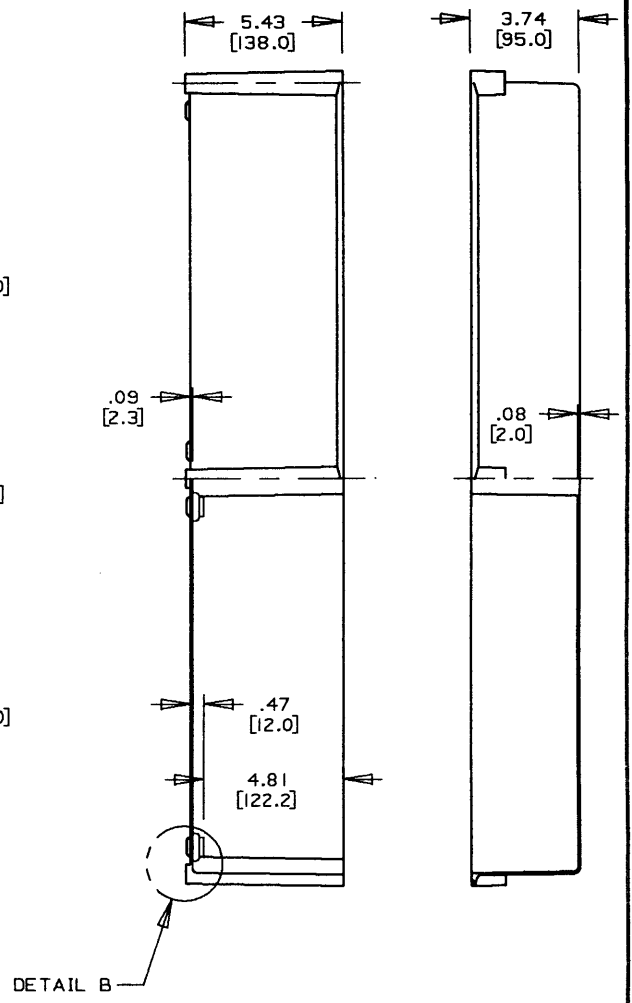
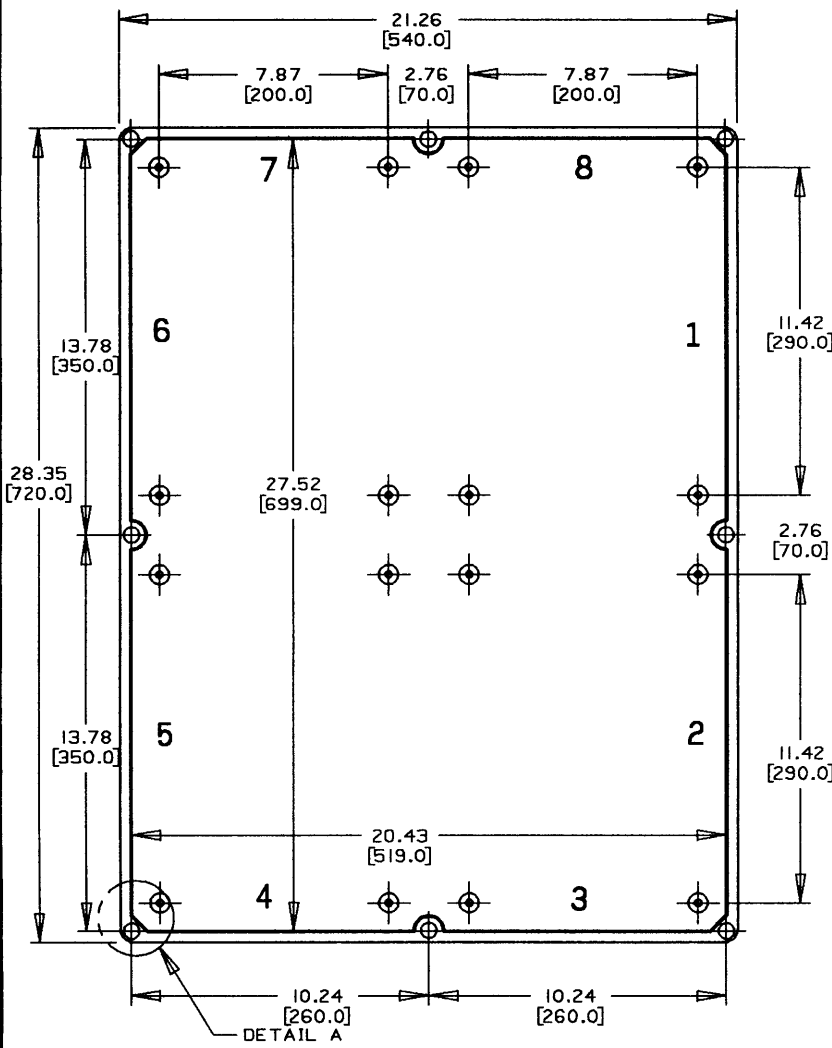


This information provided by:



Gross Automation
www.grossautomation.com

Call Toll Free:
800-349-5827



PLACEMENT OF PART
P/N HSEH HINGE KIT
AT TOP AND BOTTOM
OF LONG SIDE OF
"HH" SERIES
ENCLOSURES

NOTE:
1. DIMENSIONS ARE INCH/METRIC(MM)

PART NO.	DESCRIPTION
HS2ID9	OPAQUE SCREW COVER
HS2ID9C	CLEAR SCREW COVER
HH2ID9	OPAQUE HINGE COVER
HH2ID9C	CLEAR HINGE COVER

TITLE: HIMELINE ENCLOSURES - HS SERIES		DRN. DATE: DPR 7-9-96	PART NO.: SEE CHART
LAMSON & SESSIONS	ALL DRAWINGS ARE THE PROPERTY OF LAMSON & SESSIONS AND SHALL NOT BE REPRODUCED IN ANY FORM WITHOUT LAMSON & SESSIONS' APPROVAL AND ARE TO BE PROMPTLY RETURNED UPON REQUEST.	APP. DATE: PB 7-11-96	DRAWING NO.: AC02691
			REV.