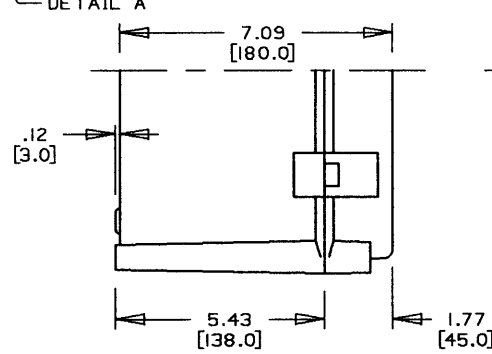
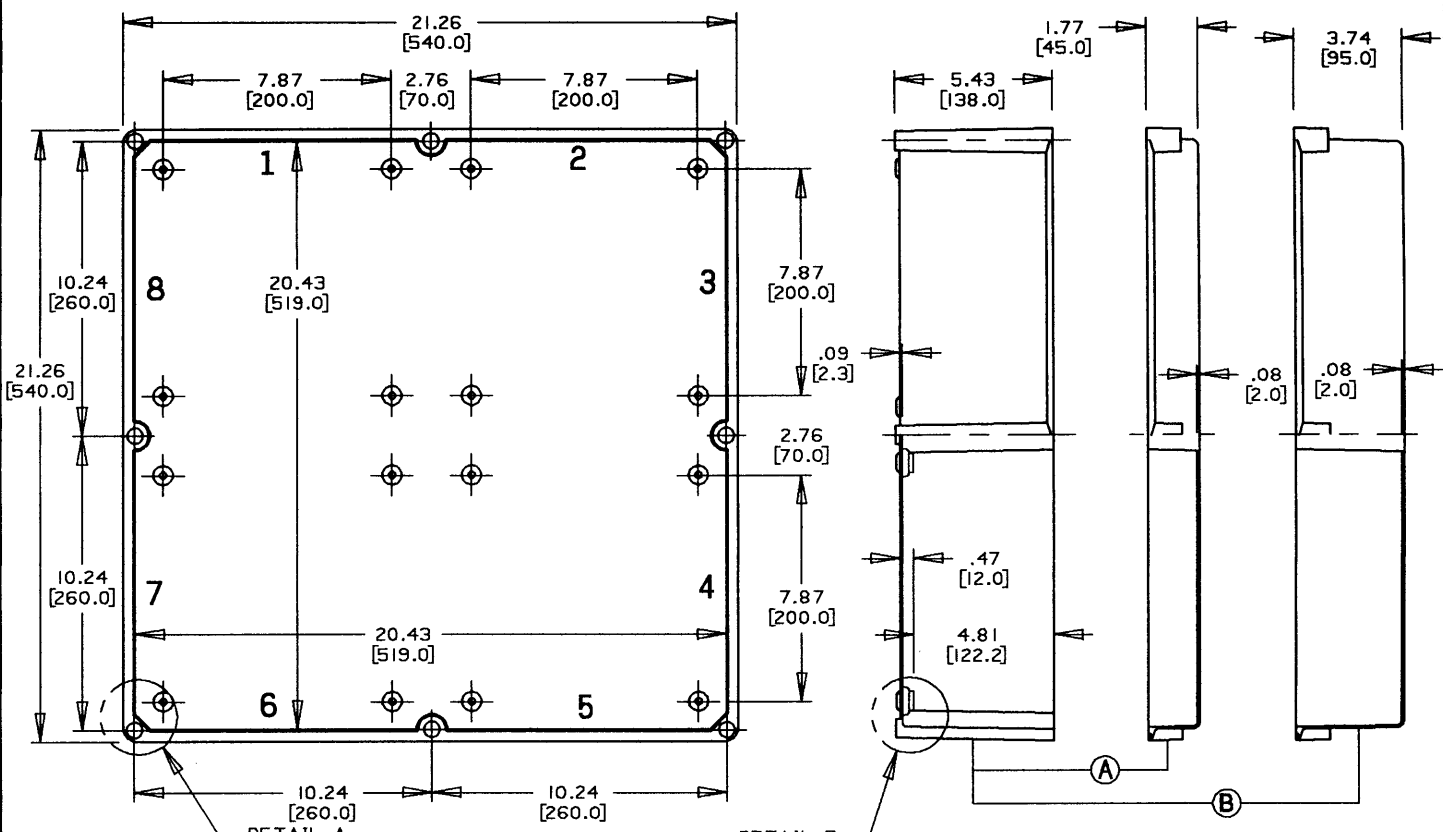


This information provided by:

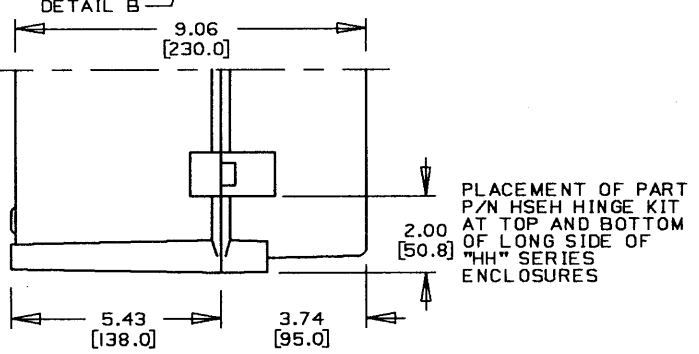


Gross Automation
www.grossautomation.com

Call Toll Free:
800-349-5827

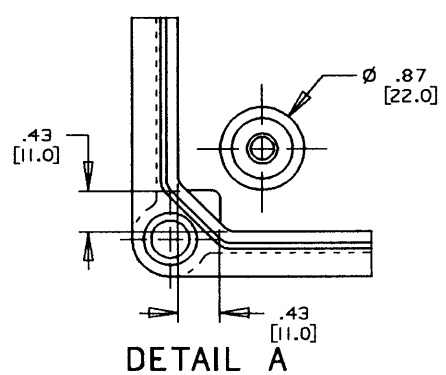


LOW LID BOX

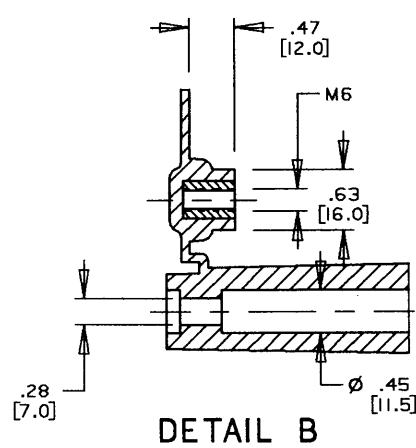


HIGH LID BOX

PLACEMENT OF PART P/N HSEH HINGE KIT AT TOP AND BOTTOM OF LONG SIDE OF "HH" SERIES ENCLOSURES



DETAIL A



DETAIL B

NOTE:
1. DIMENSIONS ARE INCH/METRIC(MM)

PART NO.	DESCRIPTION	BOX/LID
HS2IC7	OPAQUE SCREW COVER	A
HS2IC7C	CLEAR SCREW COVER	A
HS2IC7F	FRP SCREW COVER	A
HH2IC7	OPAQUE HINGE COVER	A
HH2IC7C	CLEAR HINGE COVER	A
HH2IC7F	FRP HINGE COVER	A
HS2IC9	OPAQUE SCREW COVER	B
HS2IC9C	CLEAR SCREW COVER	B
HH2IC9	OPAQUE HINGE COVER	B
HH2IC9C	CLEAR HINGE COVER	B

TITLE: HIMELINE ENCLOSURES - HS SERIES		DRN. DATE: DPR 7-9-96	PART NO: SEE CHART
LAMSON & SESSIONS	ALL DRAWINGS ARE THE PROPERTY OF LAMSON & SESSIONS AND SHALL NOT BE REPRODUCED IN ANY FORM WITHOUT LAMSON & SESSIONS' APPROVAL AND ARE TO BE PROMPTLY RETURNED UPON REQUEST.	APP. DATE: PB 7-11-96	DRAWING NO: AC02690
		REV.	