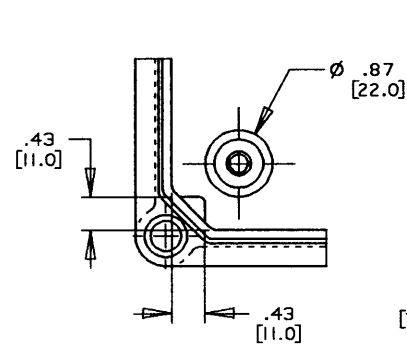
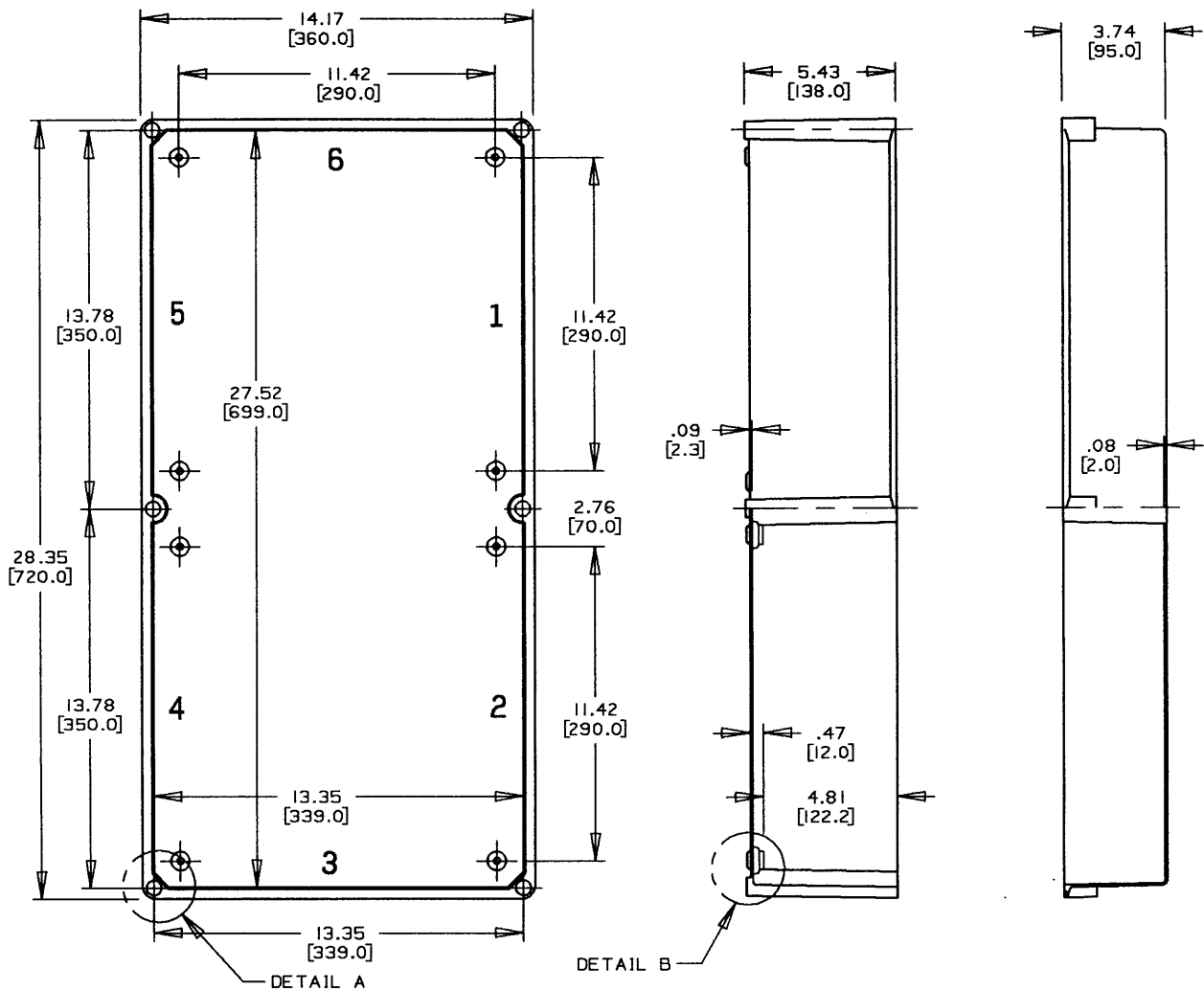


This information provided by:

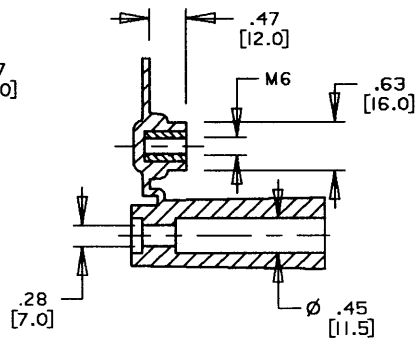


Gross Automation
www.grossautomation.com

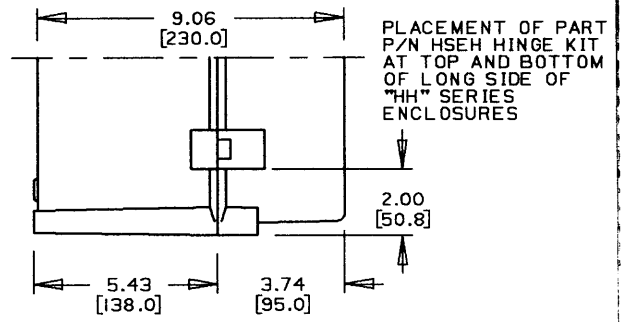
Call Toll Free:
800-349-5827



DETAIL A



DETAIL B



PLACEMENT OF PART P/N HSEH HINGE KIT AT TOP AND BOTTOM OF LONG SIDE OF "HH" SERIES ENCLOSURES

NOTE:
1. DIMENSIONS ARE INCH/METRIC(MM)

PART NO.	DESCRIPTION
HS15D9	OPAQUE SCREW COVER
HS15D9C	CLEAR SCREW COVER
HH15D9	OPAQUE HINGE COVER
HH15D9C	CLEAR HINGE COVER

TITLE: HIMELINE ENCLOSURES - HS SERIES

LAMSON & SESSIONS

ALL DRAWINGS ARE THE PROPERTY OF LAMSON & SESSIONS AND SHALL NOT BE REPRODUCED IN ANY FORM WITHOUT LAMSON & SESSIONS' APPROVAL AND ARE TO BE PROMPTLY RETURNED UPON REQUEST.

DRN. DATE
DPR 7-9-96

APP. DATE
PB 7-11-96

PART NO:

SEE CHART

DRAWING NO:

AC02689

REV.