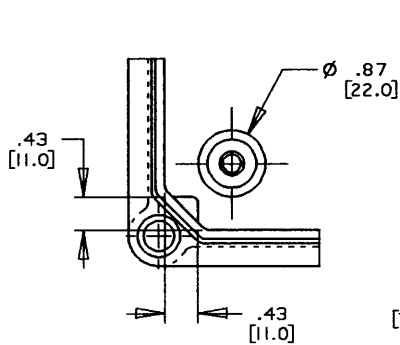
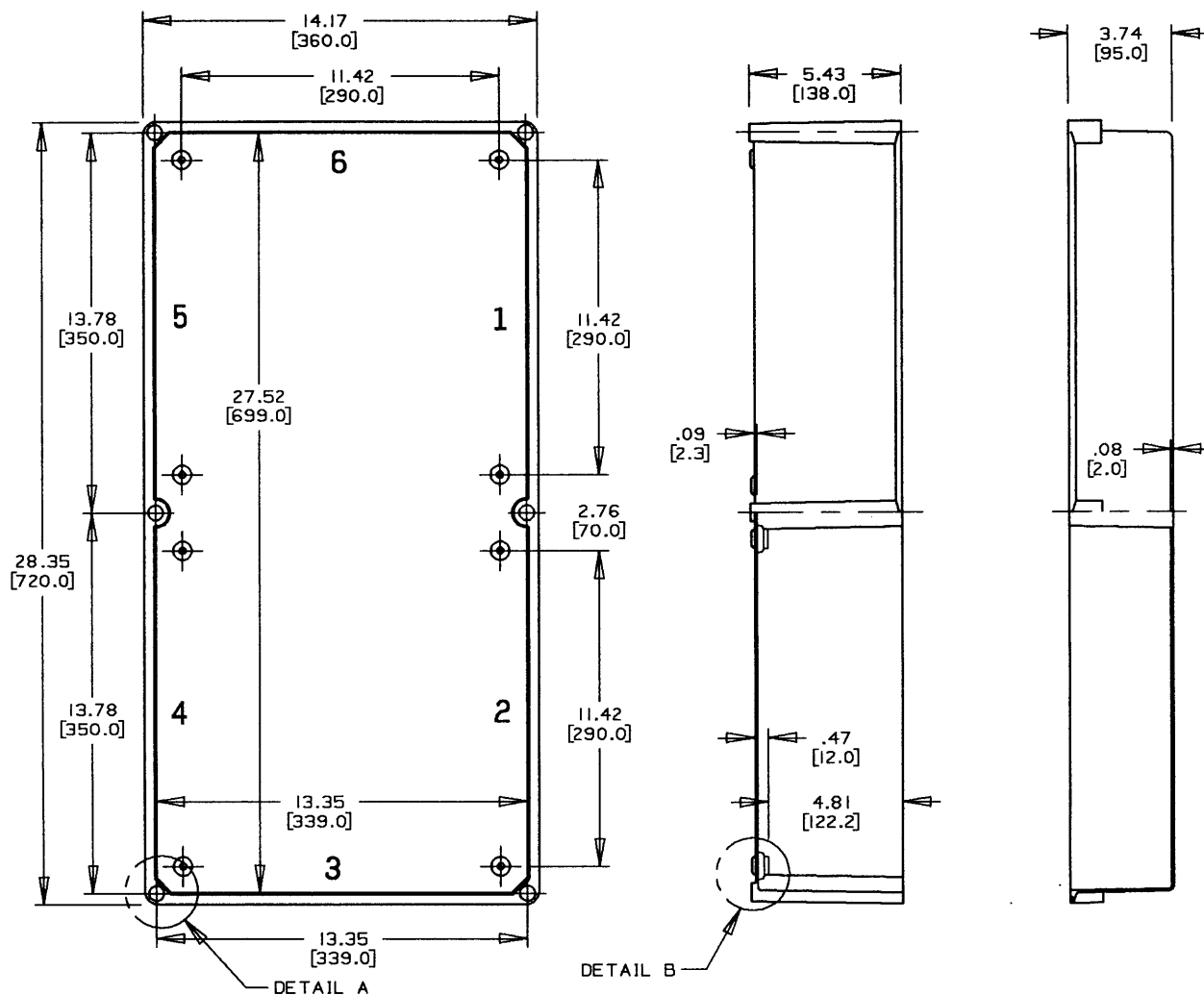


This information provided by:

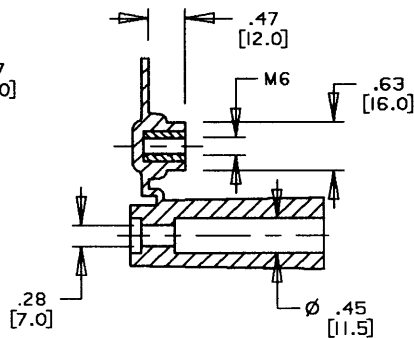


Gross Automation  
[www.grossautomation.com](http://www.grossautomation.com)

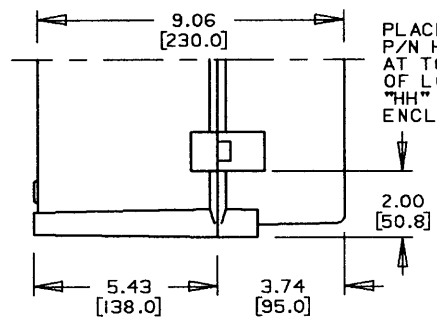
Call Toll Free:  
**800-349-5827**



DETAIL A



DETAIL B



PLACEMENT OF PART P/N HSEH HINGE KIT AT TOP AND BOTTOM OF LONG SIDE OF "HH" SERIES ENCLOSURES

NOTE:  
1. DIMENSIONS ARE INCH/METRIC(MM)

PART NO.	DESCRIPTION
HS15D9	OPAQUE SCREW COVER
HS15D9C	CLEAR SCREW COVER
HH15D9	OPAQUE HINGE COVER
HH15D9C	CLEAR HINGE COVER

TITLE: HIMELINE ENCLOSURES - HS SERIES

**LAMSON & SESSIONS**

ALL DRAWINGS ARE THE PROPERTY OF LAMSON & SESSIONS AND SHALL NOT BE REPRODUCED IN ANY FORM WITHOUT LAMSON & SESSIONS' APPROVAL AND ARE TO BE PROMPTLY RETURNED UPON REQUEST.

DRN. DATE  
DPR 7-9-96

APP. DATE  
PB 7-11-96

PART NO:

SEE CHART

DRAWING NO:

**AC02689**

REV.