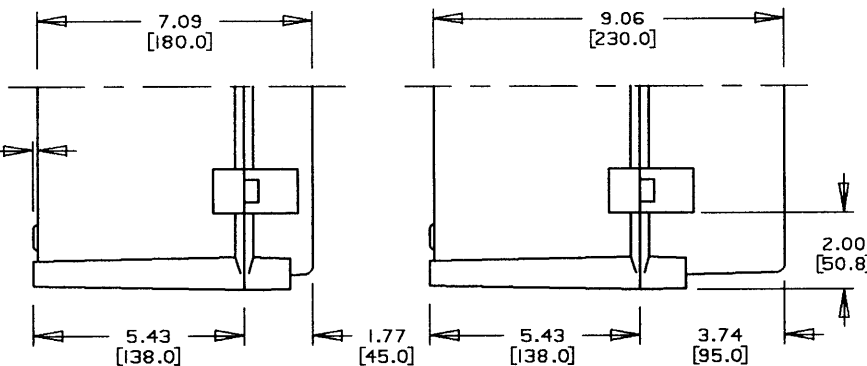
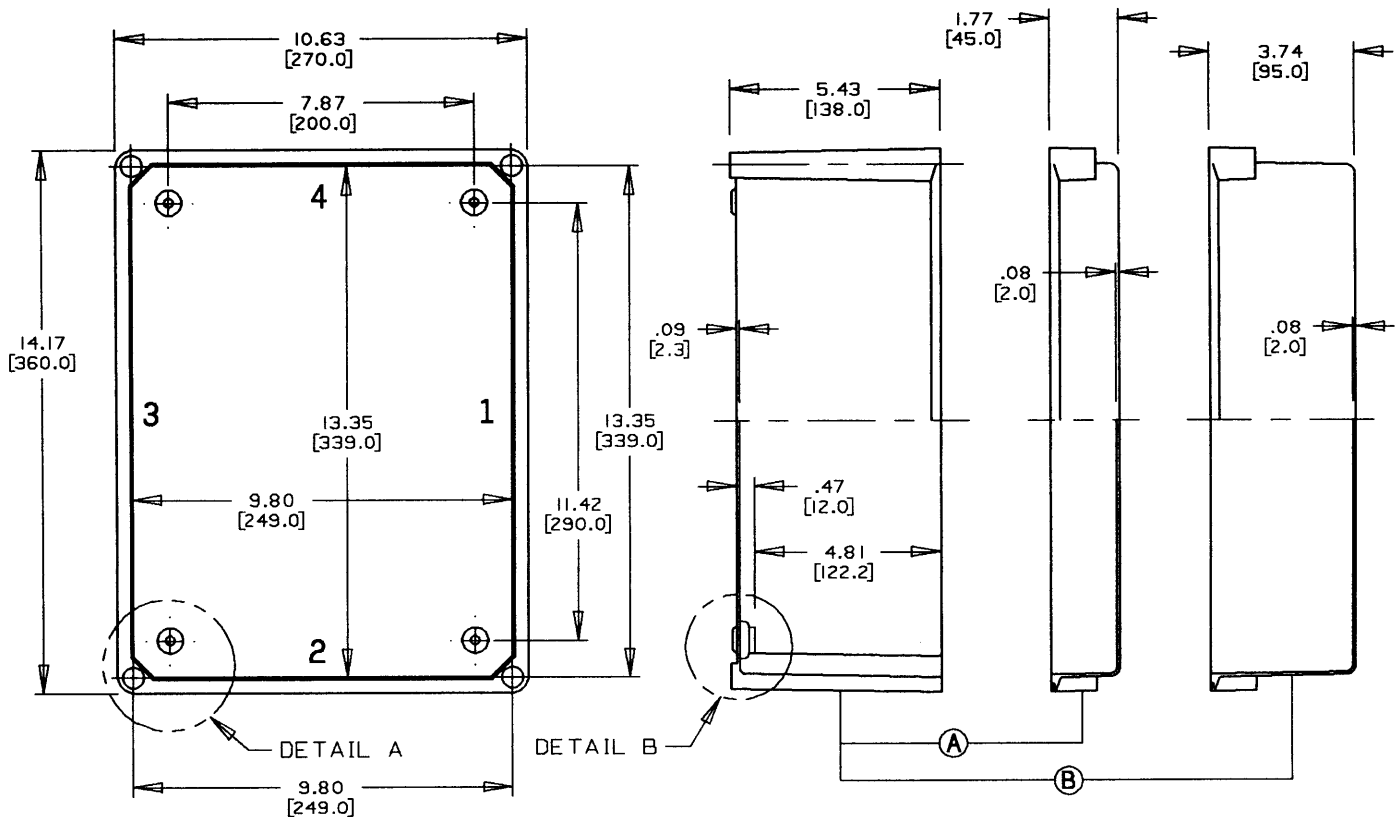


This information provided by:



Gross Automation  
[www.grossautomation.com](http://www.grossautomation.com)

Call Toll Free:  
**800-349-5827**

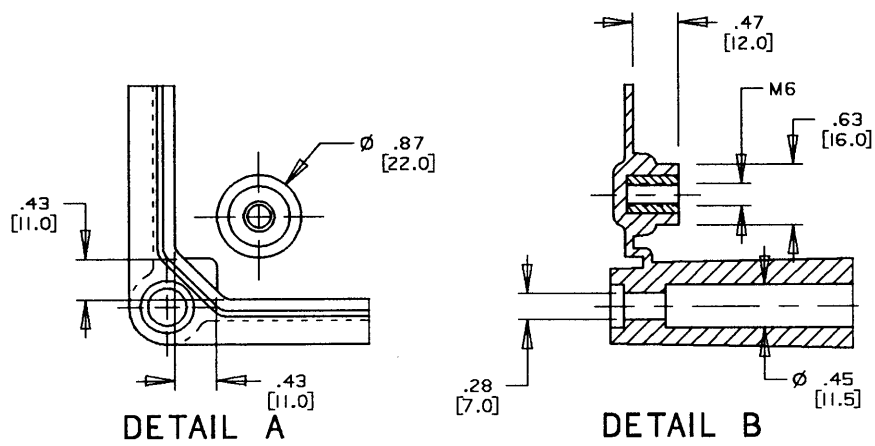


PLACEMENT OF PART  
P/N HSEH HINGE KIT  
AT TOP AND BOTTOM  
OF LONG SIDE OF  
"HH" SERIES  
ENCLOSURES

LOW LID BOX

HIGH LID BOX

PART NO.	DESCRIPTION	BOX/LID
HS11B7	OPAQUE SCREW COVER	A
HS11B7C	CLEAR SCREW COVER	A
HS11B7F	FRP SCREW COVER	A
HH11B7	OPAQUE HINGE COVER	A
HH11B7C	CLEAR HINGE COVER	A
HH11B7F	FRP HINGE COVER	A
HS11B9	OPAQUE SCREW COVER	B
HS11B9C	CLEAR SCREW COVER	B
HH11B9	OPAQUE HINGE COVER	B
HH11B9C	CLEAR HINGE COVER	B



NOTE:  
1. DIMENSIONS ARE INCH/METRIC(MM)

TITLE: HIMELINE ENCLOSURES - HS SERIES		DRN. DATE: DPR 7-9-96	PART NO: SEE CHART	
LAMSON & SESSIONS	ALL DRAWINGS ARE THE PROPERTY OF LAMSON & SESSIONS AND SHALL NOT BE REPRODUCED IN ANY FORM WITHOUT LAMSON & SESSIONS' APPROVAL AND ARE TO BE PROMPTLY RETURNED UPON REQUEST.	APP. DATE: PB 7-11-96	DRAWING NO: AC02686	REV.
		Gross Automation (877) 268-3700 - www.carlonsales.com - sales@grossautomation.com		