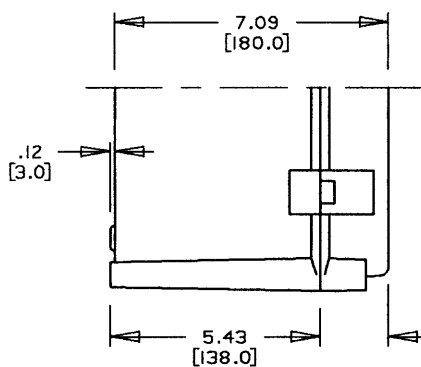
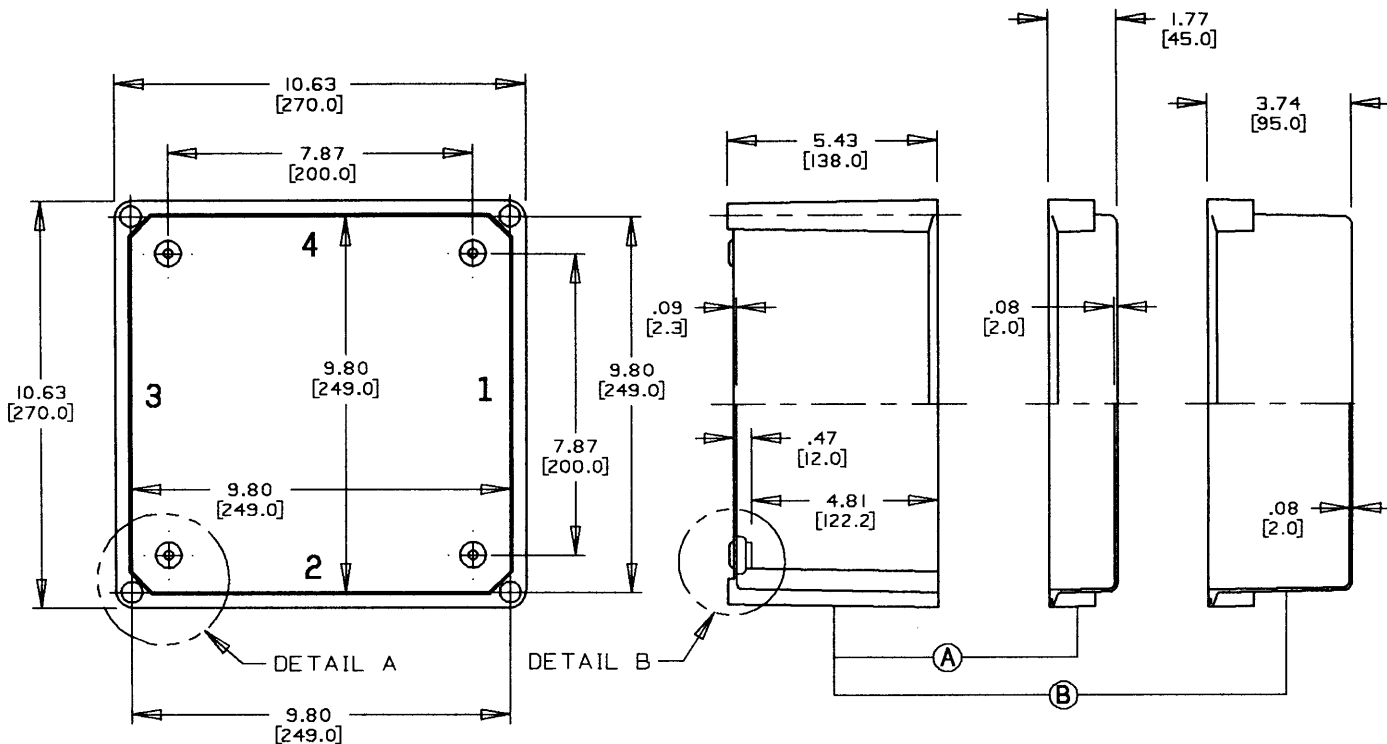


This information provided by:

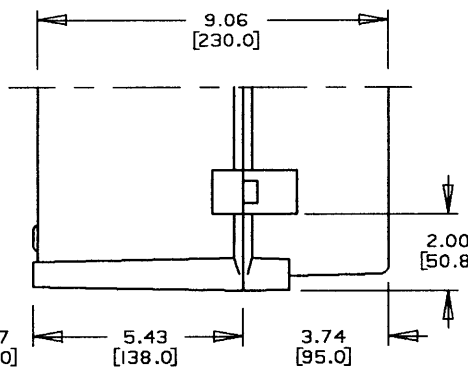


Gross Automation
www.grossautomation.com

Call Toll Free:
800-349-5827

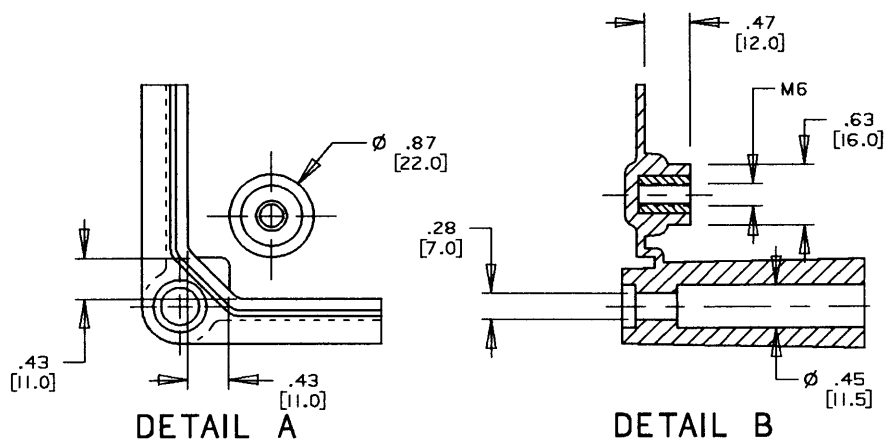


LOW LID BOX



HIGH LID BOX

PLACEMENT OF PART P/N HSEH HINGE KIT AT TOP AND BOTTOM OF LONG SIDE OF "HH" SERIES ENCLOSURES



DETAIL A

DETAIL B

NOTE:
1. DIMENSIONS ARE INCH/METRIC(MM)

| PART NO. | DESCRIPTION | BOX/LID |
|----------|--------------------|---------|
| HS11A7 | OPAQUE SCREW COVER | A |
| HS11A7C | CLEAR SCREW COVER | A |
| HS11A7F | FRP SCREW COVER | A |
| HH11A7 | OPAQUE HINGE COVER | A |
| HH11A7C | CLEAR HINGE COVER | A |
| HH11A7F | FRP HINGE COVER | A |
| HS11A9 | OPAQUE SCREW COVER | B |
| HS11A9C | CLEAR SCREW COVER | B |
| HH11A9 | OPAQUE HINGE COVER | B |
| HH11A9C | CLEAR HINGE COVER | B |

TITLE: HIMELINE ENCLOSURES - HS SERIES

DRN. DATE
DPR 7-8-96

PART NO:

SEE CHART

LAMSON & SESSIONS

ALL DRAWINGS ARE THE PROPERTY OF LAMSON & SESSIONS AND SHALL NOT BE REPRODUCED IN ANY FORM WITHOUT LAMSON & SESSIONS' APPROVAL AND ARE TO BE PROMPTLY RETURNED UPON REQUEST.

APP. DATE
PB 7-11-96

DRAWING NO:

AC02685

REV.