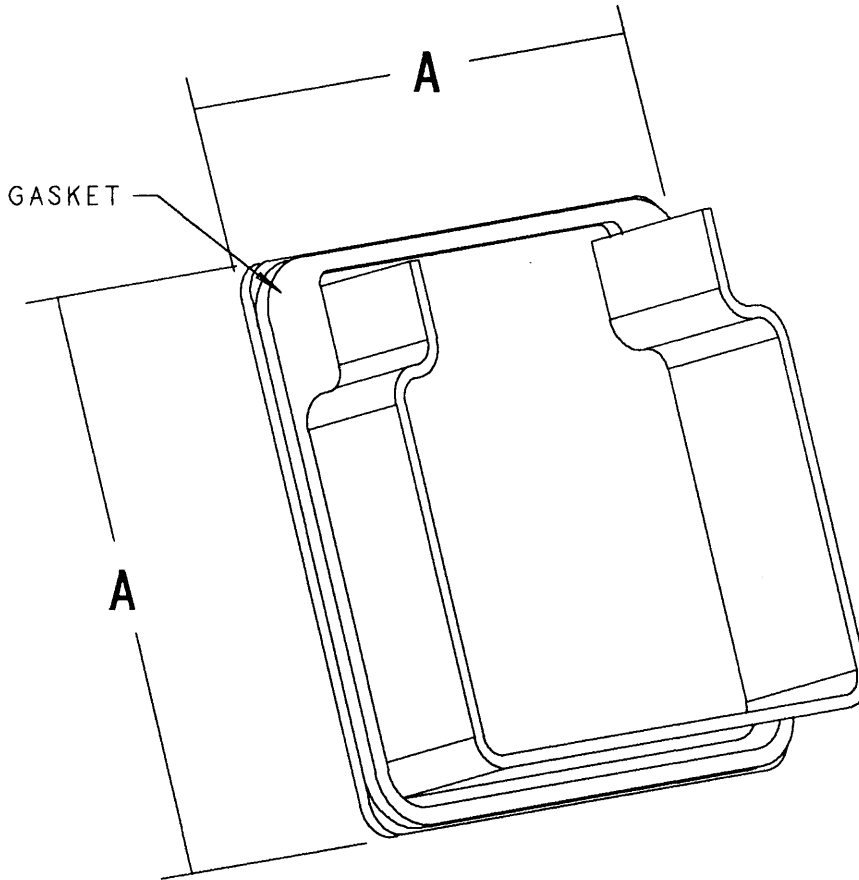


This information provided by:



Gross Automation
www.grossautomation.com

Call Toll Free:
800-349-5827



CEP P/N	EGALINE PVC LAY-IN WIREWAY FITTINGS	
	PRODUCT DESCRIPTION	A (IN) (MM)
EGSEJ	2 X 2" STOP END	2-1/8 (53.98)
EGSEL	3 X 3" STOP END	3-1/8 (79.38)
EGSEN	4 X 4" STOP END	4-1/8 (104.78)

P/N EGSER IS ON DRAWING AC03348

NOTES:

1. PRODUCT IS UL LISTED - NEMA TYPE 12. FILE E163227
2. MATERIAL: UL 94V-0 PVC
3. COLOR: CHARCOAL GRAY
4. STOP ENDS MOLDED IN UK.

TITLE STOP END - WIREWAY		DRN. DJK	DATE 10-10-94	PART NO: EGSE SERIES	
LAMSON & SESSIONS	ALL DRAWINGS ARE THE PROPERTY OF LAMSON & SESSIONS AND SHALL NOT BE REPRODUCED IN ANY FORM WITHOUT LAMSON & SESSIONS' APPROVAL AND ARE TO BE PROMPTLY RETURNED UPON REQUEST.	APP. JM	DATE 4-10-94	DRAWING NO: AC01948	REV. B