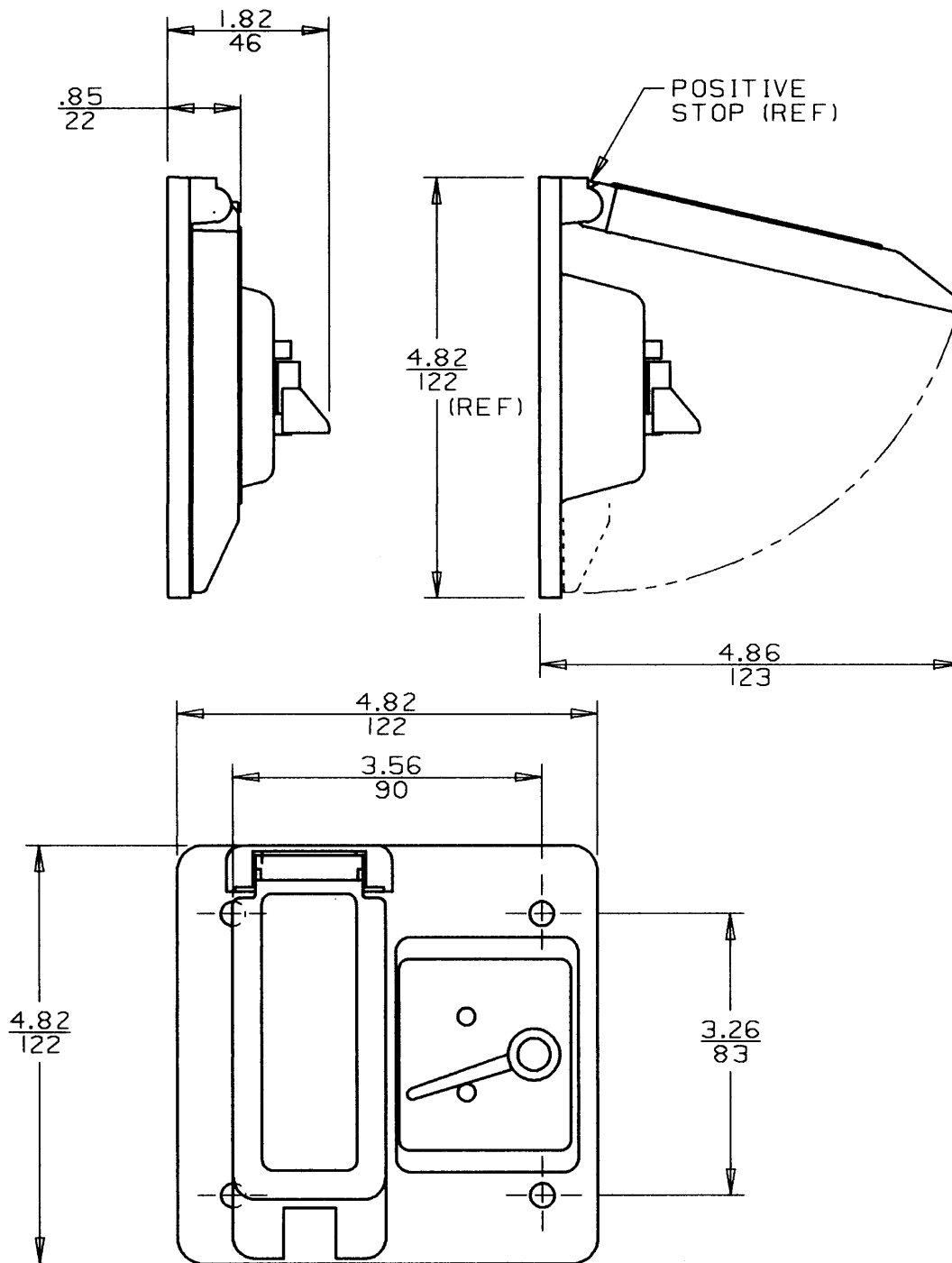


This information provided by:



Gross Automation
www.grossautomation.com

Call Toll Free:
800-349-5827



PART NO.	STYLE	COLOR	MATERIAL
E9G2DSN	DUPLEX/TOGGLE	GRAY	LEXAN
E9G2GTN	GFI/TOGGLE	GRAY	LEXAN
E9G2DSM	DUPLEX/TOGGLE	WHITE	LEXAN

TITLE: W/P COVER, 2-GANG COMBO. - ENVELOPE DIMENSIONS

DRN. DATE
DPR 3-23-95

PART NO:
E9G2 SERIES

LAMSON & SESSIONS

ALL DRAWINGS ARE THE PROPERTY OF LAMSON & SESSIONS AND SHALL NOT BE REPRODUCED IN ANY FORM WITHOUT LAMSON & SESSIONS' APPROVAL AND ARE TO BE PROMPTLY RETURNED UPON REQUEST.

APP. DATE
Dm 5-11-95

DRAWING NO:
AC02262

REV.