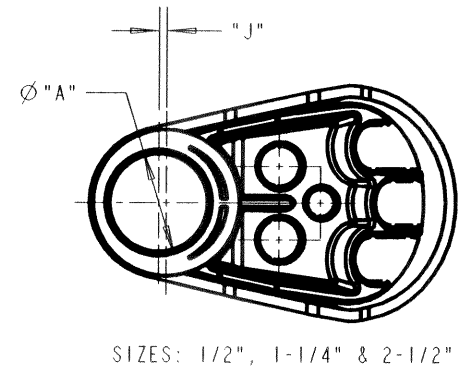
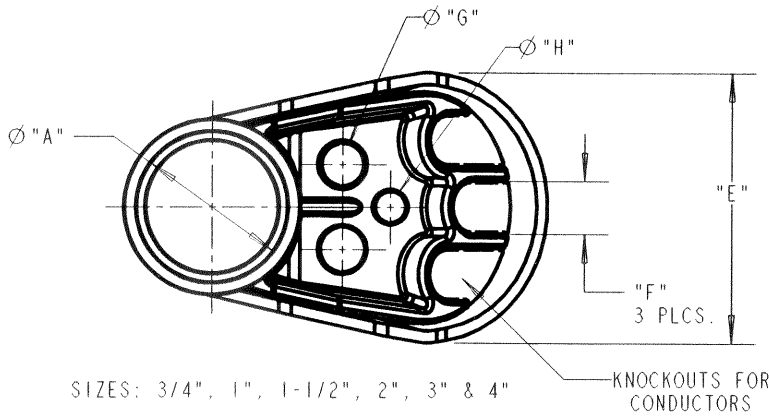
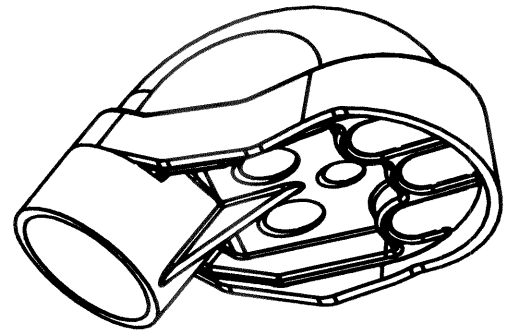
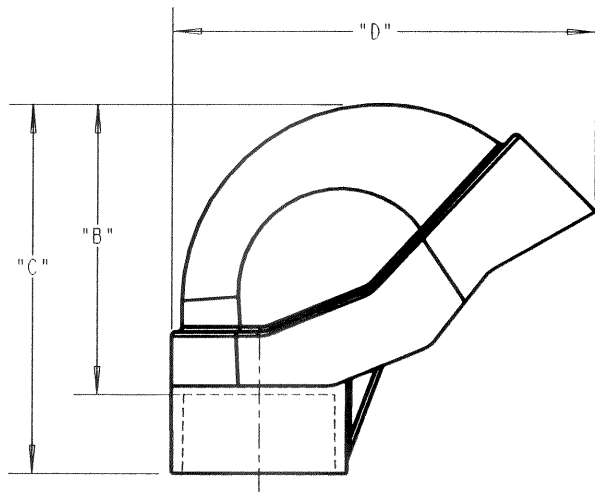


This information provided by:



Gross Automation  
[www.grossautomation.com](http://www.grossautomation.com)

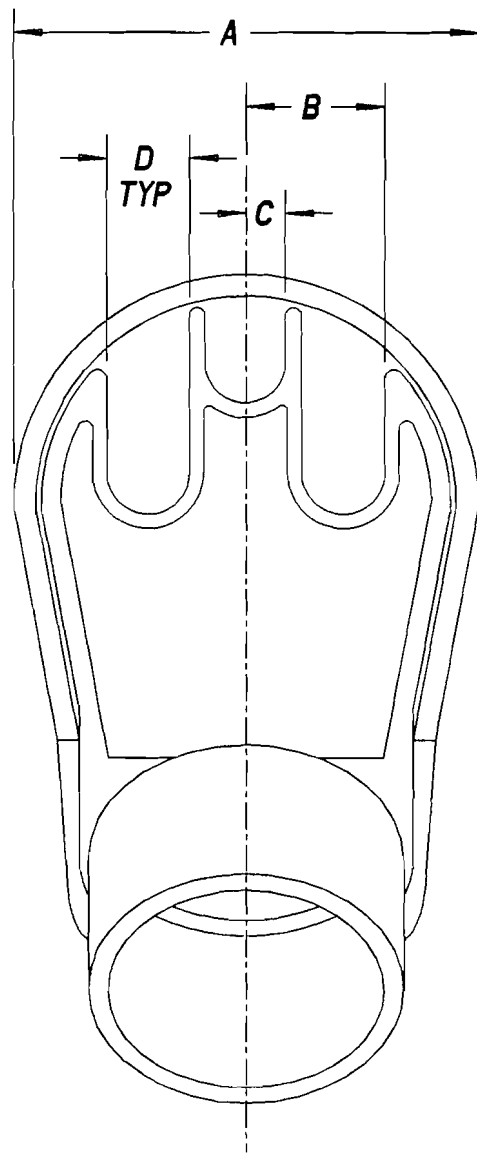
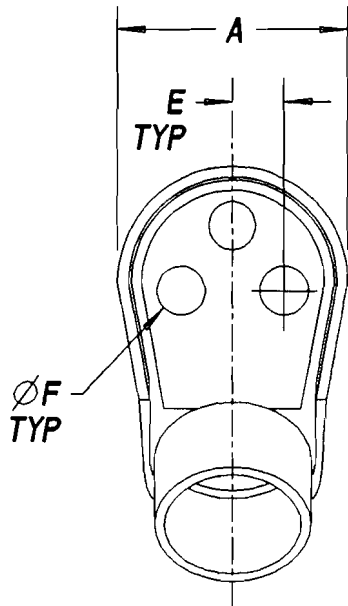
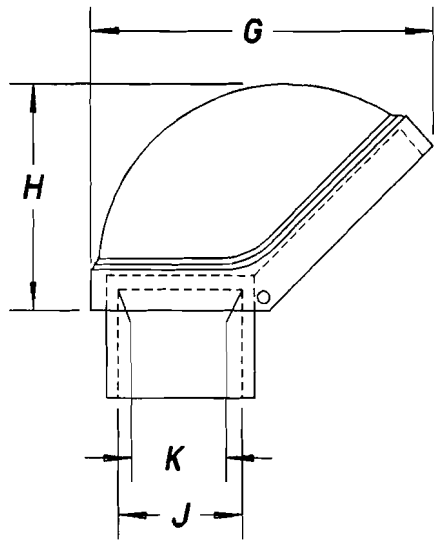
Call Toll Free:  
**800-349-5827**



- NOTES:  
 1. ALL DIMENSIONS ARE IN INCH(MILLIMETERS).  
 2. MATERIAL: GRAY PVC

PART NO.	"A" FEMALE SOCKET SIZE	DIM. B	DIM. C	DIM. D	DIM. E	DIM. F	Ø G	Ø H	DIM. J
E998D	1/2"	2.02 [51.2]	2.74 [69.5]	3.04 [77.2]	1.76 [44.7]	.45 [11.4]	.45 [11.4]	--	.107 [2.72]
E998E	3/4"	1.96 [49.7]	2.74 [69.5]	3.04 [77.2]	1.76 [44.7]	.45 [11.4]	.45 [11.4]	--	--
E998F	1"	2.39 [60.8]	3.28 [83.4]	3.58 [90.9]	2.26 [59.9]	.59 [15]	.58 [14.6]	--	--
E998G	1-1/4"	4.09 [108.5]	5.12 [130.1]	5.74 [145.9]	3.52 [89.5]	.74 [18.9]	.71 [18]	.50 [50.8]	.121 [3.07]
E998H	1-1/2"	3.98 [101]	5.12 [130.1]	5.74 [145.9]	3.52 [89.5]	.74 [18.9]	.71 [18]	.50 [50.8]	--
E998J	2"	4.60 [116.9]	5.85 [148.7]	6.64 [168.6]	4.26 [108.1]	.83 [21]	.78 [19.8]	.56 [14.2]	--
E998K	2-1/2"	7.26 [184.4]	9.02 [229.1]	12.19 [309.7]	7.47 [189.7]	1.70 [43.2]	1.31 [33.3]	1.00 [25.4]	.195 [4.95]
E998L	3"	7.13 [181.1]	9.02 [229.1]	12.19 [309.7]	7.47 [189.7]	1.70 [43.2]	1.31 [33.3]	1.00 [25.4]	--
E998N	4"	9.57 [243]	12.57 [319.2]	16.38 [416.1]	10.45 [265.3]	2.25 [57.2]	1.88 [47.8]	1.31 [33.2]	--

TITLE: SERVICE ENTRANCES CAPS		DRN: DPR	DATE: 4-29-03	PART NO: SEE CHART
LAMSON & SESSIONS	ALL DRAWINGS ARE THE PROPERTY OF LAMSON & SESSIONS AND SHALL NOT BE REPRODUCED IN ANY FORM WITHOUT LAMSON & SESSIONS' APPROVAL AND ARE TO BE PROMPTLY RETURNED UPON REQUEST.	APP: EGH	DATE: 5-14-03	DRAWING NO: AC04379



PART NO.	SIZE	A	B	C	D	E	F	9	H	J	K	SIZE
E998E	3/4"	2.21 (56.1)	--	--	--	.44 (11.2)	.43 (10.9)	3.06 (77.7)	2.30 (58.4)	1.06 (27)	1.05 (26.6)	3/4"
E998F	1"	2.48 (63)	--	--	--	.50 (12.7)	.53 (13.5)	3.63 (92.2)	2.80 (71.1)	1.33 (33.8)	1.31 (33.3)	1"
E998G	1-1/4"	3.26 (82.8)	--	--	--	.75 (19.1)	.75 (19.1)	4.69 (119.1)	3.41 (86.6)	1.68 (42.6)	1.66 (42)	1-1/4"
E998H	1-1/2"	4.40 (111.8)	1.06 (26.9)	.42 (10.7)	.84 (21.3)	--	--	6.31 (161)	4.57 (116.1)	1.92 (48.7)	1.89 (48.1)	1-1/2"
E998J	2"	4.40 (111.8)	1.06 (26.9)	.42 (10.7)	.84 (21.3)	--	--	6.31 (161)	4.37 (111)	2.39 (60.8)	2.37 (60.2)	2"
E998K	2-1/2"	8.06 (204.7)	2.06 (52.3)	.88 (22.4)	1.75 (44.5)	--	--	12.63 (320.8)	8.38 (212.9)	2.89 (73.4)	2.87 (72.8)	2-1/2"
E998L	3"	8.06 (204.7)	2.06 (52.3)	.88 (22.4)	1.75 (44.5)	--	--	12.63 (320.8)	8.38 (212.9)	3.52 (89.3)	3.49 (88.7)	3"
E99N	4"	11.75 (298.5)	3.75 (92.3)	.75 (19)	1.50 (38.1)	--	--	14.44 (366.8)	11.31 (287.3)	4.52 (114.7)	4.49 (114.1)	4"

NOTE: ALL DIMENSIONS ARE IN INCH/MILLIMETERS

TITLE: WEATHERHEADS		DRN: DPR	DATE: 5-29-02	PART NO.: SEE CHART	
LAMSON & SESSIONS		ALL DRAWINGS ARE THE PROPERTY OF LAMSON & SESSIONS AND SHALL NOT BE REPRODUCED IN ANY FORM WITHOUT LAMSON & SESSIONS' APPROVAL AND ARE TO BE PROMPTLY RETURNED UPON REQUEST.		APP.	DATE
				DRAWING NO.: AC04175	
				REV.	