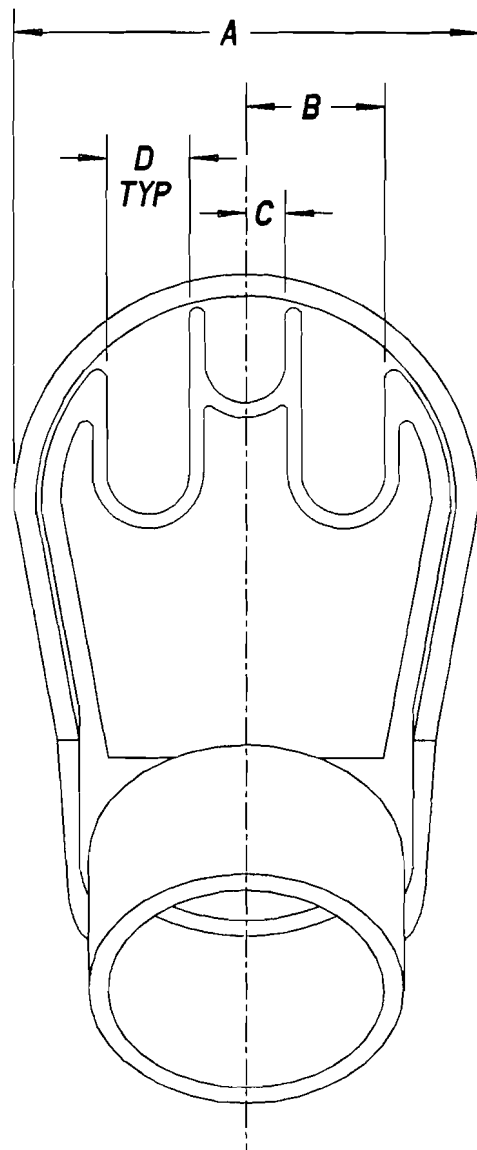
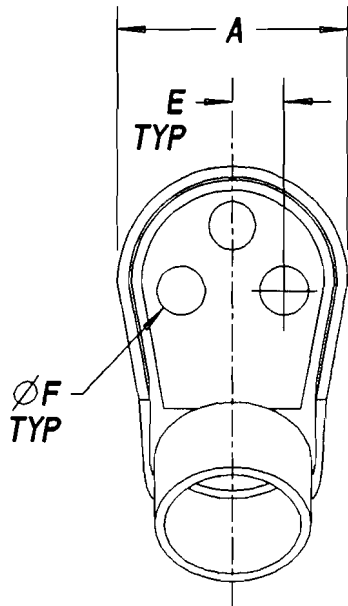
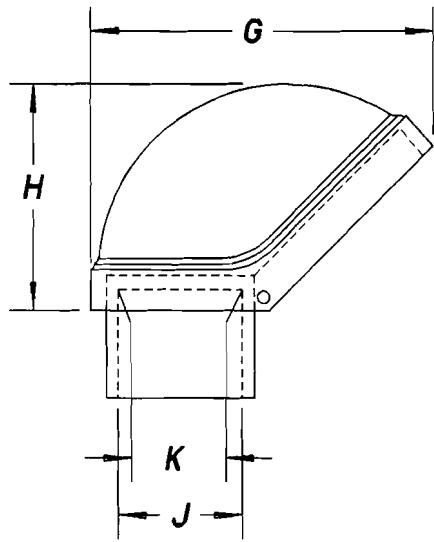


This information provided by:



Gross Automation  
[www.grossautomation.com](http://www.grossautomation.com)

Call Toll Free:  
**800-349-5827**



PART NO.	SIZE	A	B	C	D	E	F	9	H	J	K	SIZE
E998E	3/4"	2.21 (56.1)	--	--	--	.44 (11.2)	.43 (10.9)	3.06 (77.7)	2.30 (58.4)	1.06 (27)	1.05 (26.6)	3/4"
E998F	1"	2.48 (63)	--	--	--	.50 (12.7)	.53 (13.5)	3.63 (92.2)	2.80 (71.1)	1.33 (33.8)	1.31 (33.3)	1"
E998G	1-1/4"	3.26 (82.8)	--	--	--	.75 (19.1)	.75 (19.1)	4.69 (119.1)	3.41 (86.6)	1.68 (42.6)	1.66 (42)	1-1/4"
E998H	1-1/2"	4.40 (111.8)	1.06 (26.9)	.42 (10.7)	.84 (21.3)	--	--	6.31 (161)	4.57 (116.1)	1.92 (48.7)	1.89 (48.1)	1-1/2"
E998J	2"	4.40 (111.8)	1.06 (26.9)	.42 (10.7)	.84 (21.3)	--	--	6.31 (161)	4.37 (111)	2.39 (60.8)	2.37 (60.2)	2"
E998K	2-1/2"	8.06 (204.7)	2.06 (52.3)	.88 (22.4)	1.75 (44.5)	--	--	12.63 (320.8)	8.38 (212.9)	2.89 (73.4)	2.87 (72.8)	2-1/2"
E998L	3"	8.06 (204.7)	2.06 (52.3)	.88 (22.4)	1.75 (44.5)	--	--	12.63 (320.8)	8.38 (212.9)	3.52 (89.3)	3.49 (88.7)	3"
E99N	4"	11.75 (298.5)	3.75 (92.3)	.75 (19)	1.50 (38.1)	--	--	14.44 (366.8)	11.31 (287.3)	4.52 (114.7)	4.49 (114.1)	4"

NOTE: ALL DIMENSIONS ARE IN INCH/MILLIMETERS

TITLE: WEATHERHEADS		DRN: DPR	DATE: 5-29-02	PART NO.: SEE CHART	
LAMSON & SESSIONS		ALL DRAWINGS ARE THE PROPERTY OF LAMSON & SESSIONS AND SHALL NOT BE REPRODUCED IN ANY FORM WITHOUT LAMSON & SESSIONS' APPROVAL AND ARE TO BE PROMPTLY RETURNED UPON REQUEST.		APP.	DATE
				DRAWING NO.: AC04175	
				REV.	