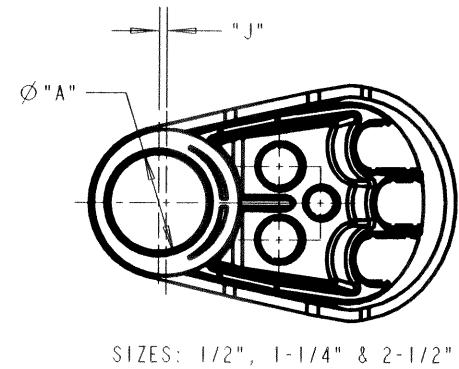
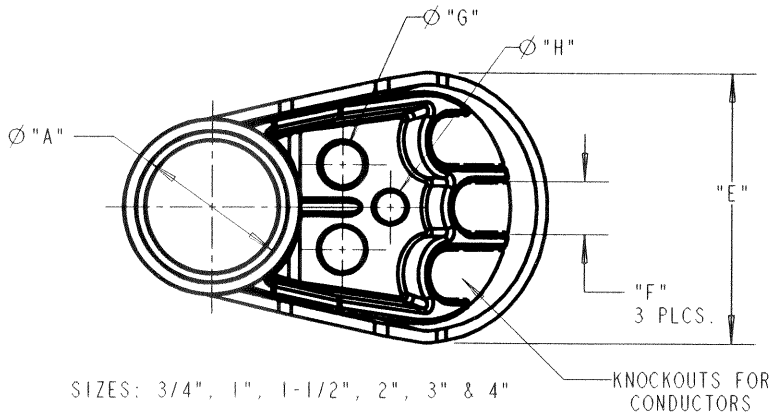
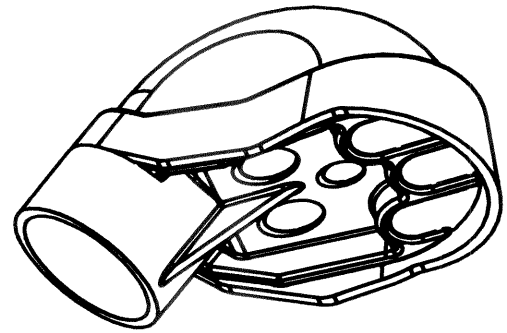
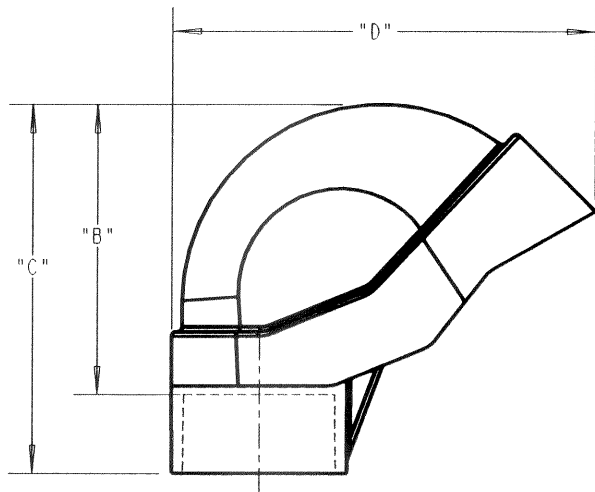


This information provided by:



Gross Automation  
[www.grossautomation.com](http://www.grossautomation.com)

Call Toll Free:  
**800-349-5827**



- NOTES:  
 1. ALL DIMENSIONS ARE IN INCH(MILLIMETERS).  
 2. MATERIAL: GRAY PVC

PART NO.	"A" FEMALE SOCKET SIZE	DIM.B	DIM.C	DIM.D	DIM.E	DIM.F	ØG	ØH	DIM.J
E998D	1/2"	2.02 [51.2]	2.74 [69.5]	3.04 [77.2]	1.76 [44.7]	.45 [11.4]	.45 [11.4]	--	.107 [2.72]
E998E	3/4"	1.96 [49.7]	2.74 [69.5]	3.04 [77.2]	1.76 [44.7]	.45 [11.4]	.45 [11.4]	--	--
E998F	1"	2.39 [60.8]	3.28 [83.4]	3.58 [90.9]	2.26 [59.9]	.59 [15]	.58 [14.6]	--	--
E998G	1-1/4"	4.09 [108.5]	5.12 [130.1]	5.74 [145.9]	3.52 [89.5]	.74 [18.9]	.71 [18]	.50 [50.8]	.121 [3.07]
E998H	1-1/2"	3.98 [101]	5.12 [130.1]	5.74 [145.9]	3.52 [89.5]	.74 [18.9]	.71 [18]	.50 [50.8]	--
E998J	2"	4.60 [116.9]	5.85 [148.7]	6.64 [168.6]	4.26 [108.1]	.83 [21]	.78 [19.8]	.56 [14.2]	--
E998K	2-1/2"	7.26 [184.4]	9.02 [229.1]	12.19 [309.7]	7.47 [189.7]	1.70 [43.2]	1.31 [33.3]	1.00 [25.4]	.195 [4.95]
E998L	3"	7.13 [181.1]	9.02 [229.1]	12.19 [309.7]	7.47 [189.7]	1.70 [43.2]	1.31 [33.3]	1.00 [25.4]	--
E998N	4"	9.57 [243]	12.57 [319.2]	16.38 [416.1]	10.45 [265.3]	2.25 [57.2]	1.88 [47.8]	1.31 [33.2]	--

TITLE:

SERVICE ENTRANCES CAPS

DRN.

DATE

PART NO.:

DPR

4-29-03

SEE CHART

LAMSON & SESSIONS

ALL DRAWINGS ARE THE PROPERTY OF LAMSON & SESSIONS AND SHALL NOT BE REPRODUCED IN ANY FORM WITHOUT LAMSON & SESSIONS' APPROVAL AND ARE TO BE PROMPTLY RETURNED UPON REQUEST.

APP.

DATE

DRAWING NO.:

EGH

5-14-03

AC04379

REV.

C