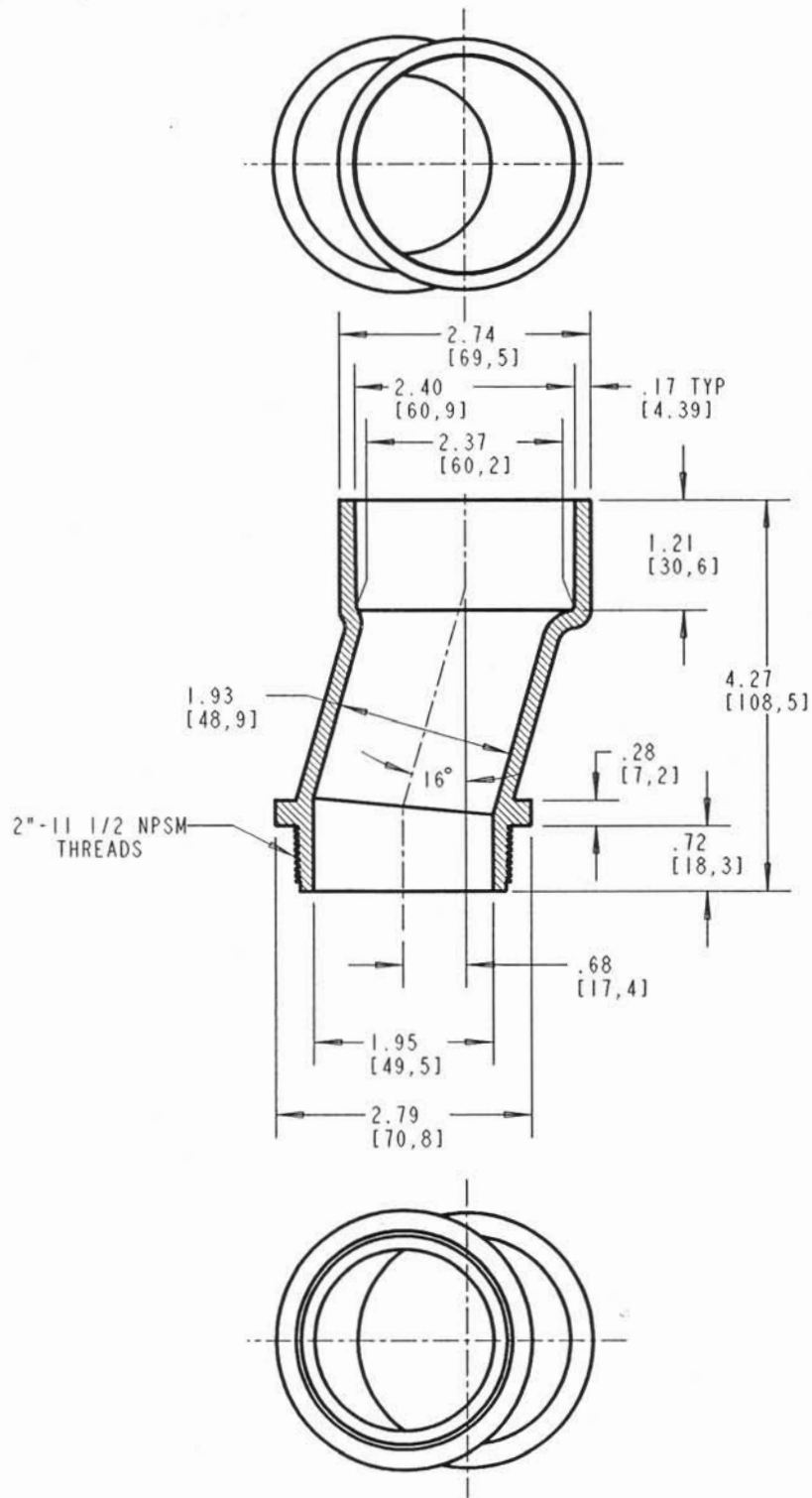


This information provided by:



Gross Automation
www.grossautomation.com

Call Toll Free:
800-349-5827



NOTE:
ALL DIMENSIONS ARE IN INCH/MILLIMETERS.

TITLE: 2" OFFSET		DRN: DPR	DATE: 12-01-05	PART NO: E995J
LAMSON & SESSIONS	ALL DRAWINGS ARE THE PROPERTY OF LAMSON & SESSIONS AND SHALL NOT BE REPRODUCED IN ANY FORM WITHOUT LAMSON & SESSIONS' APPROVAL AND ARE TO BE PROMPTLY RETURNED UPON REQUEST.	APP: GDT	DATE: 12-01-05	DRAWING NO: AC04822
				REV: -