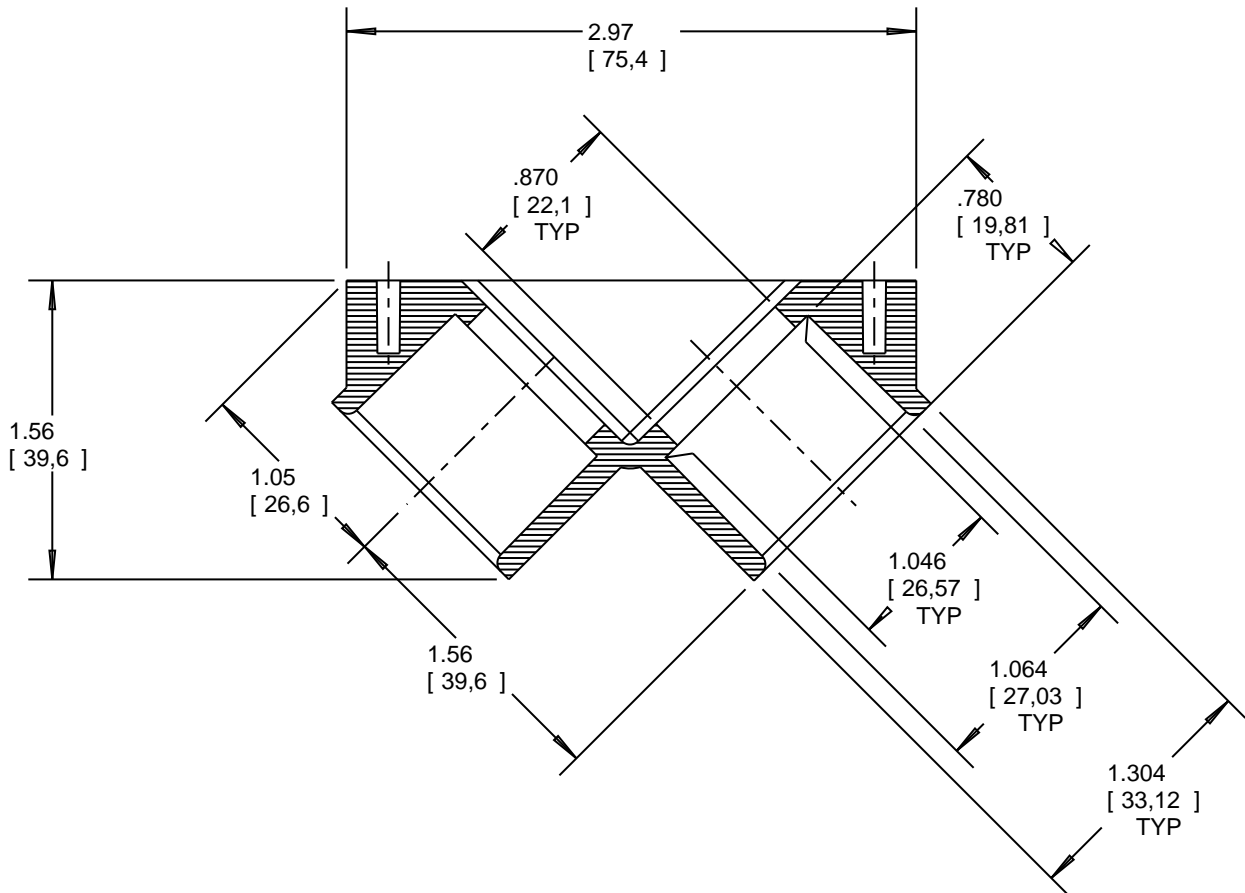
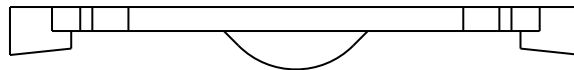
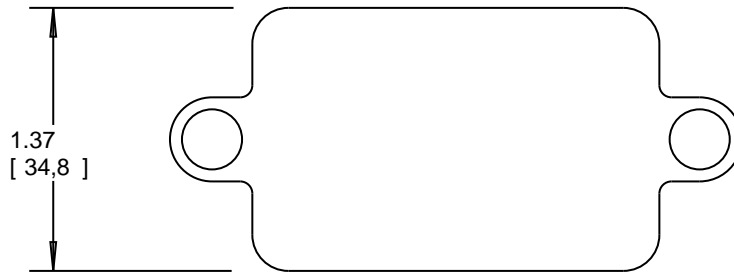


This information provided by:




Gross Automation  
[www.grossautomation.com](http://www.grossautomation.com)

Call Toll Free:  
**800-349-5827**



**NOTES:**

- 1.) DIMENSIONS SHOWN IN INCHES[mm]
- 2.) PRODUCT IS SOLD WITH GASKET (NOT SHOWN)

TITLE: 3/4" PULL ELBOW (AND COVER)		DRN. DATE	PART NO.: E990E	
 ALL DRAWINGS ARE THE PROPERTY OF LAMSON & SESSIONS AND SHALL NOT BE REPRODUCED IN ANY FORM WITHOUT LAMSON & SESSIONS' APPROVAL AND ARE TO BE PROMPTLY RETURNED UPON REQUEST		RG 12/6/06	DRAWING NO.: AC05007	
		APP. DATE		
		DK 12/6/06		