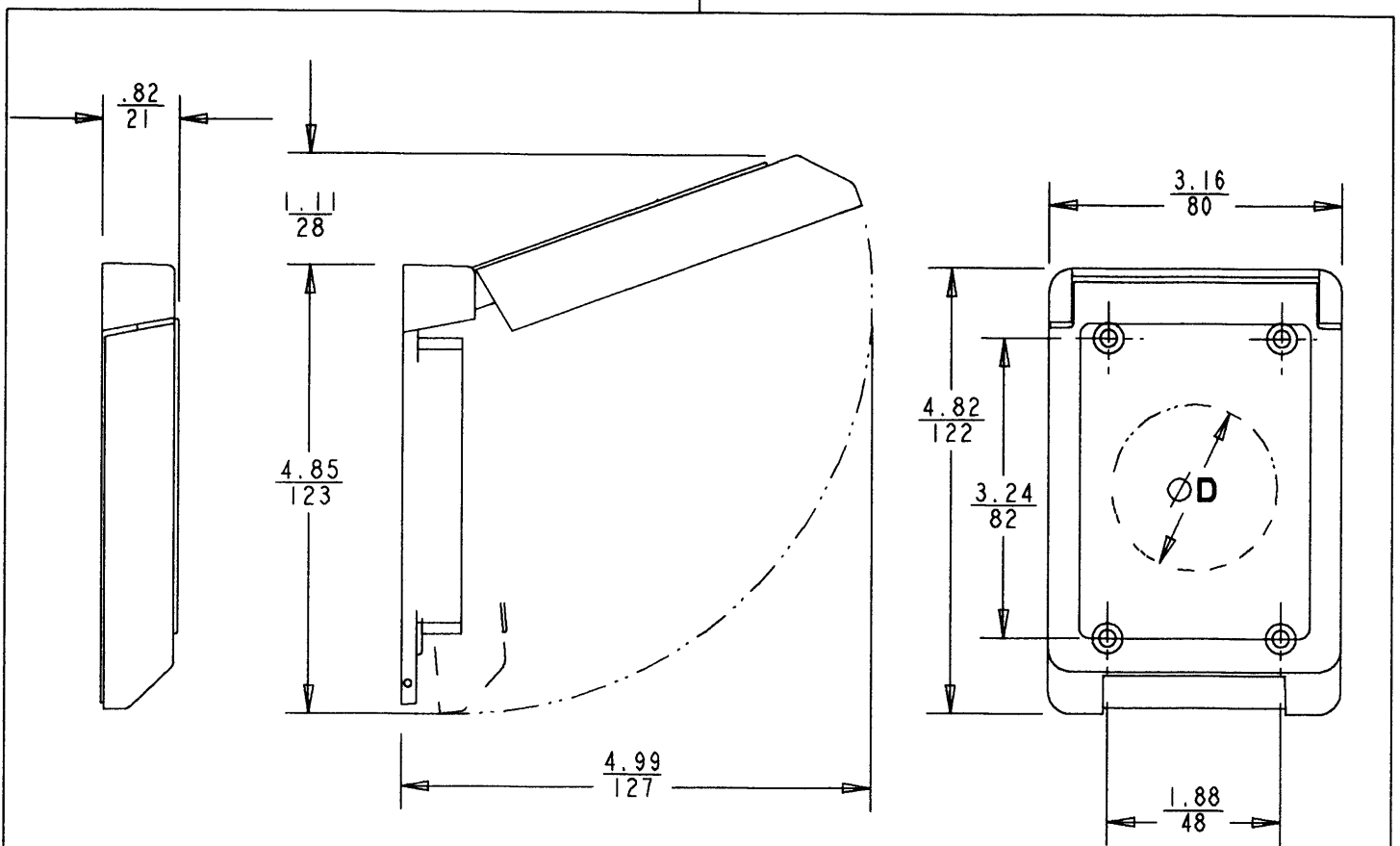


This information provided by:



Gross Automation  
[www.grossautomation.com](http://www.grossautomation.com)

Call Toll Free:  
**800-349-5827**



NOTES:  
 1. DIMENSIONS ARE IN INCHES / mm.  
 2. MATERIAL: LEXAN

PART NO.	STYLE	COLOR	D (diameter)
E98GDRN	DUPLEX	GRAY	N/A
E98GFCN	GF1	GRAY	N/A
E98SSCN	SWITCH	GRAY	N/A
E98G5FN	50 AMP RECP.	GRAY	2.250 ±.005 (57.2 ±.13)
E98G30N	30 AMP RECP.	GRAY	1.755 / 1.711 (44.6 / 43.5)
E98G20N	20 AMP RECP.	GRAY	1.630 / 1.586 (41.4 / 40.3)
E98SRCN	15 AMP RECP.	GRAY	1.380 ±.005 (35.1 ±.13)
E98GCBN	CIR. BRKR.	GRAY	N/A
E98GDRM	DUPLEX	WHITE	N/A
E98GFCM	GF1	WHITE	N/A
E98SSCM	SWITCH	WHITE	N/A

TITLE W/P COVER, VERTICAL - ENVELOPE DIMENSIONS		DRN DPR	DATE 3-23-95	PART NO: E98 SERIES
LAMSON & SESSIONS	ALL DRAWINGS ARE THE PROPERTY OF LAMSON & SESSIONS AND SHALL NOT BE REPRODUCED IN ANY FORM WITHOUT LAMSON & SESSIONS' APPROVAL AND ARE TO BE PROMPTLY RETURNED UPON REQUEST.	APP. DM	DATE 5/11/95	DRAWING NO: AC02259