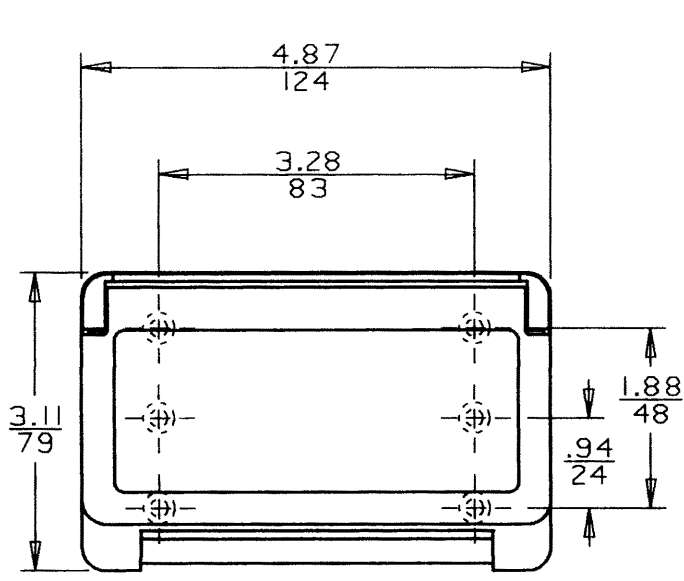
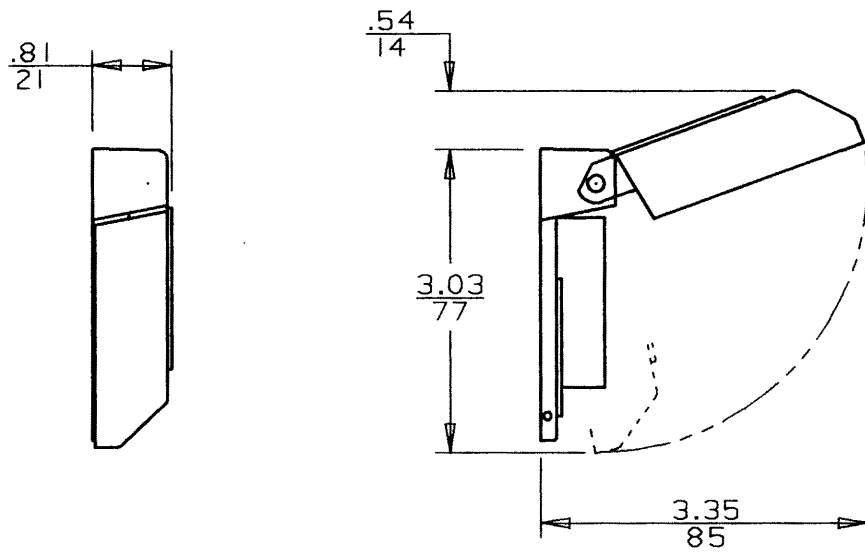


This information provided by:

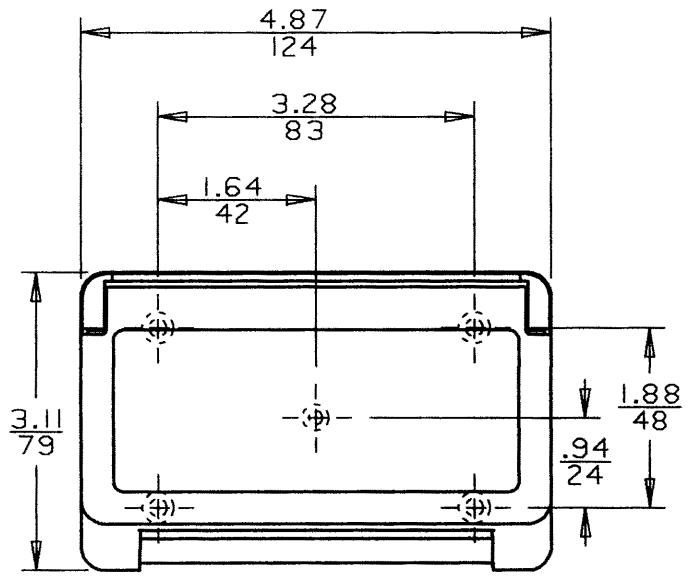


Gross Automation  
[www.grossautomation.com](http://www.grossautomation.com)

Call Toll Free:  
**800-349-5827**



GFI  
VERSION



DUPLEX  
VERSION

PART NO.	STYLE	COLOR	MATERIAL
E98DHGN	DUPLEX	GRAY	LEXAN
E98GHGN	GFI	GRAY	LEXAN
E98DHGM	DUPLEX	WHITE	LEXAN
E98GHGM	GFI	WHITE	LEXAN

TITLE: W/P COVER, HORIZONTAL - ENVELOPE DIMENSIONS		DRN. DATE	PART NO:	
LAMSON & SESSIONS		DPR 3-23-95	E98 SERIES	
ALL DRAWINGS ARE THE PROPERTY OF LAMSON & SESSIONS AND SHALL NOT BE REPRODUCED IN ANY FORM WITHOUT LAMSON & SESSIONS' APPROVAL AND ARE TO BE PROMPTLY RETURNED UPON REQUEST.		APP. DATE	DRAWING NO:	REV.
		DM 5-11-95	AC02260	