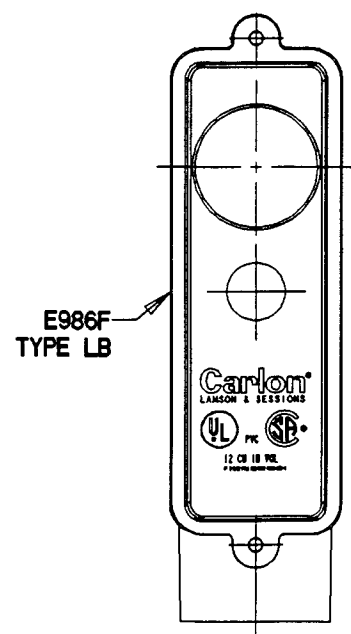
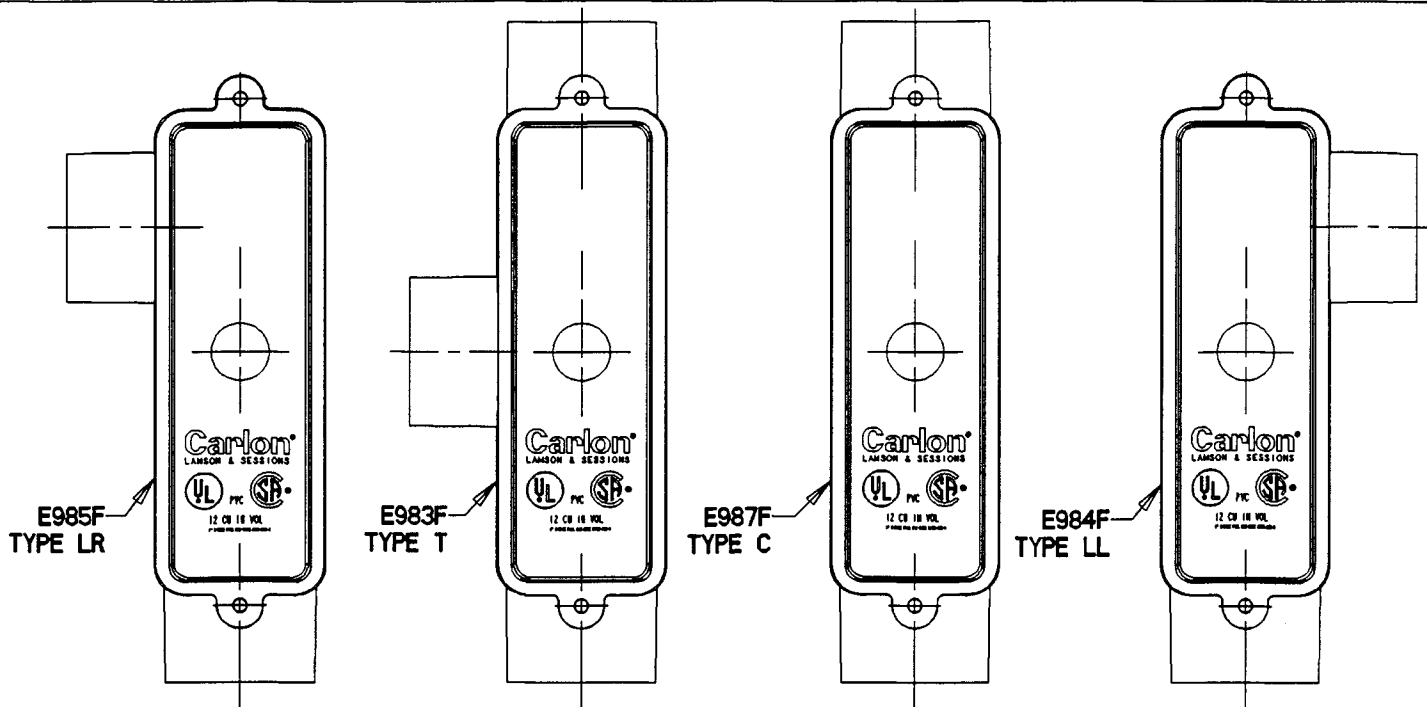


This information provided by:

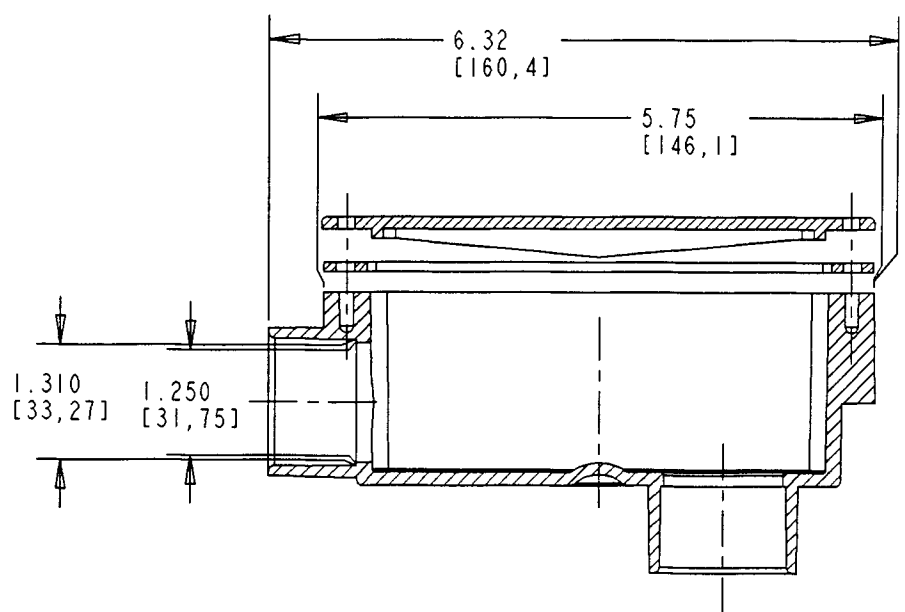
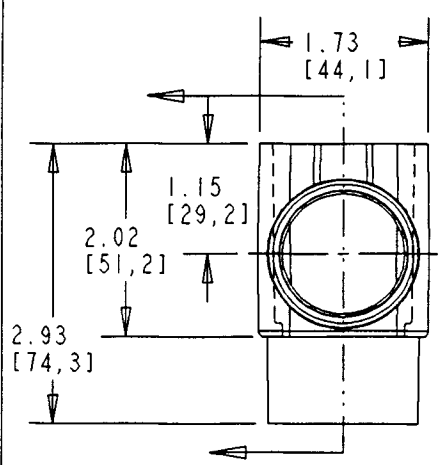


Gross Automation
www.grossautomation.com

Call Toll Free:
800-349-5827



- NOTES:**
- FITTING ASSEMBLIES INCLUDE:
 - (1) FITTING BODY
 - (1) GASKET
 - (1) COVER
 - (2) SCREWS
 - PORT DIMENSIONS ARE TYPICAL REGARDLESS OF POSITION
 - DIMENSIONS ARE IN INCHES[MILLIMETERS].



TITLE		ACCESS FITTINGS - 1"		DRN	DATE	PART NO:	
LAMSON & SESSIONS		ALL DRAWINGS ARE THE PROPERTY OF LAMSON & SESSIONS AND SHALL NOT BE REPRODUCED IN ANY FORM WITHOUT LAMSON & SESSIONS' APPROVAL AND ARE TO BE PROMPTLY RETURNED UPON REQUEST.		RG	6/10/02	AS NOTED	
				APP	DATE	DRAWING NO:	
				<i>WJL</i>		AC04179	
							REV.