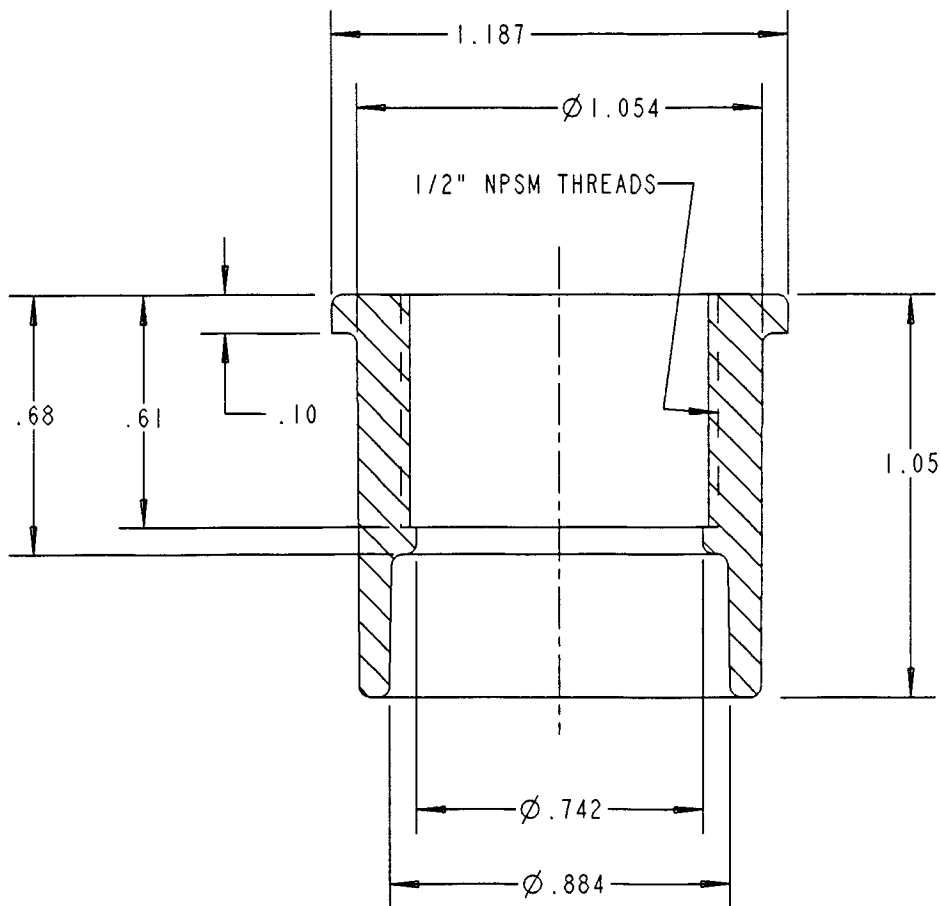
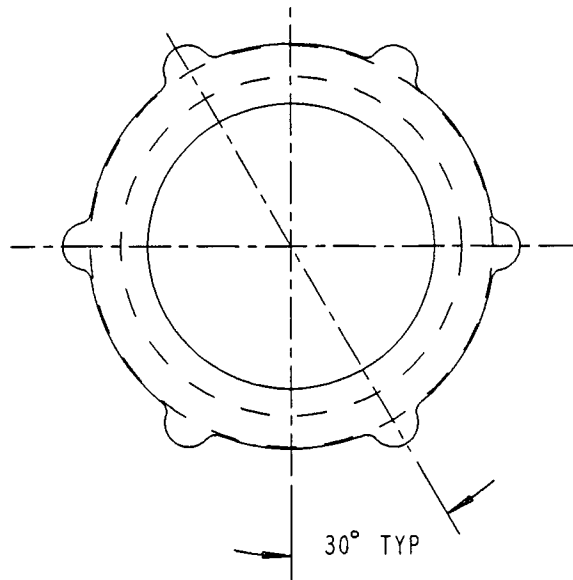


This information provided by:



Gross Automation
www.grossautomation.com

Call Toll Free:
800-349-5827



TITLE		ADAPTER - FEMALE THREADED - 1/2" NPSM		DRN	DATE	PART NO:	
LAMSON & SESSIONS		ALL DRAWINGS ARE THE PROPERTY OF LAMSON & SESSIONS AND SHALL NOT BE REPRODUCED IN ANY FORM WITHOUT LAMSON & SESSIONS' APPROVAL AND ARE TO BE PROMPTLY RETURNED UPON REQUEST.		RG	6/7/02	E9842D	
				APP	DATE	DRAWING NO:	REV.
				<i>WJL</i>		AC04178	