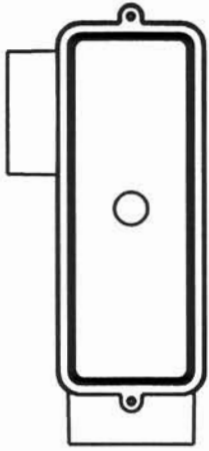


This information provided by:

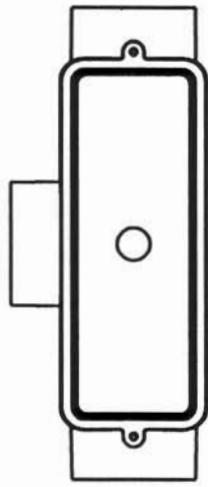


Gross Automation
www.grossautomation.com

Call Toll Free:
800-349-5827



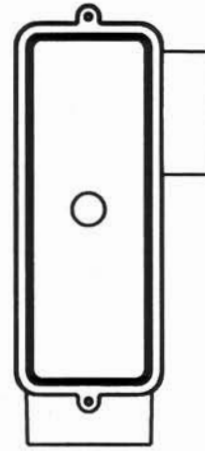
E985J
TYPE LR



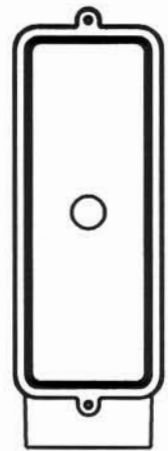
E983J
TYPE T



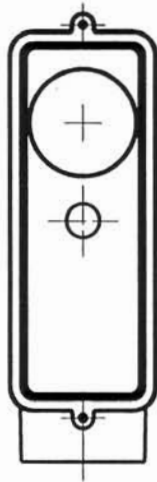
E987J
TYPE C



E984J
TYPE LL



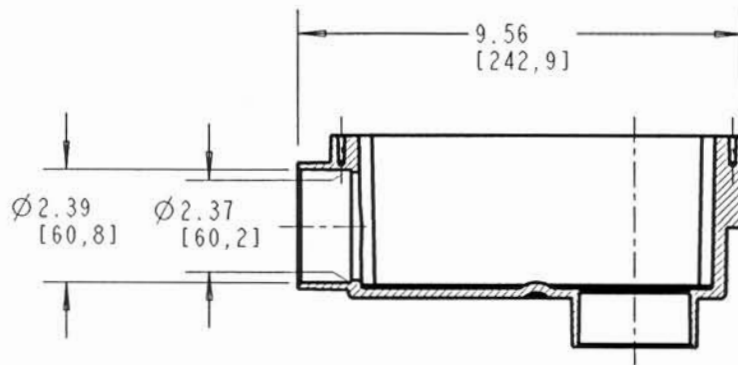
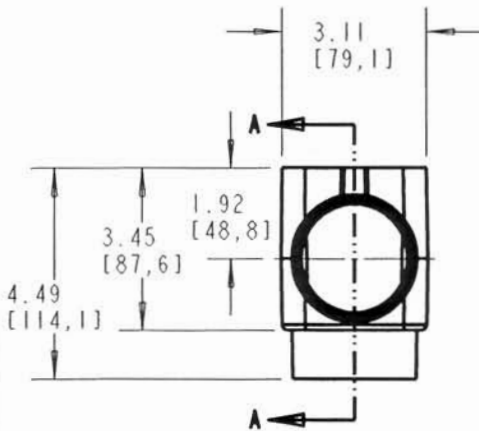
E988J
TYPE E



E986J
TYPE LB

NOTES:

1. FITTING ASSEMBLIES INCLUDE:
 1 - FITTING BODY
 1 - GASKET
 1 - COVER
 2 - SCREWS
2. PORT DIMENSIONS ARE TYPICAL REGARDLESS OF POSITION.
3. DIMENSIONS ARE IN INCH/MILLIMETERS.



SECTION A-A

TITLE: ACCESS FITTINGS - 2"		DRN: DPR	DATE: 1-17-06	PART NO.: AS NOTED	
LAMSON & SESSIONS	ALL DRAWINGS ARE THE PROPERTY OF LAMSON & SESSIONS AND SHALL NOT BE REPRODUCED IN ANY FORM WITHOUT LAMSON & SESSIONS' APPROVAL AND ARE TO BE PROMPTLY RETURNED UPON REQUEST.	APP.	DATE:	DRAWING NO.: AC04830	REV.