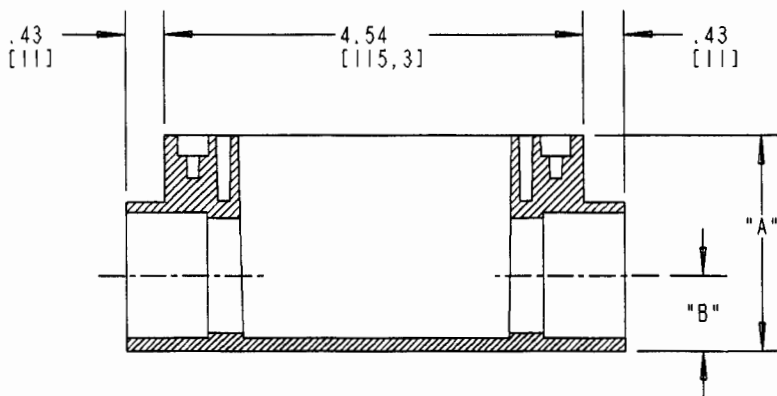
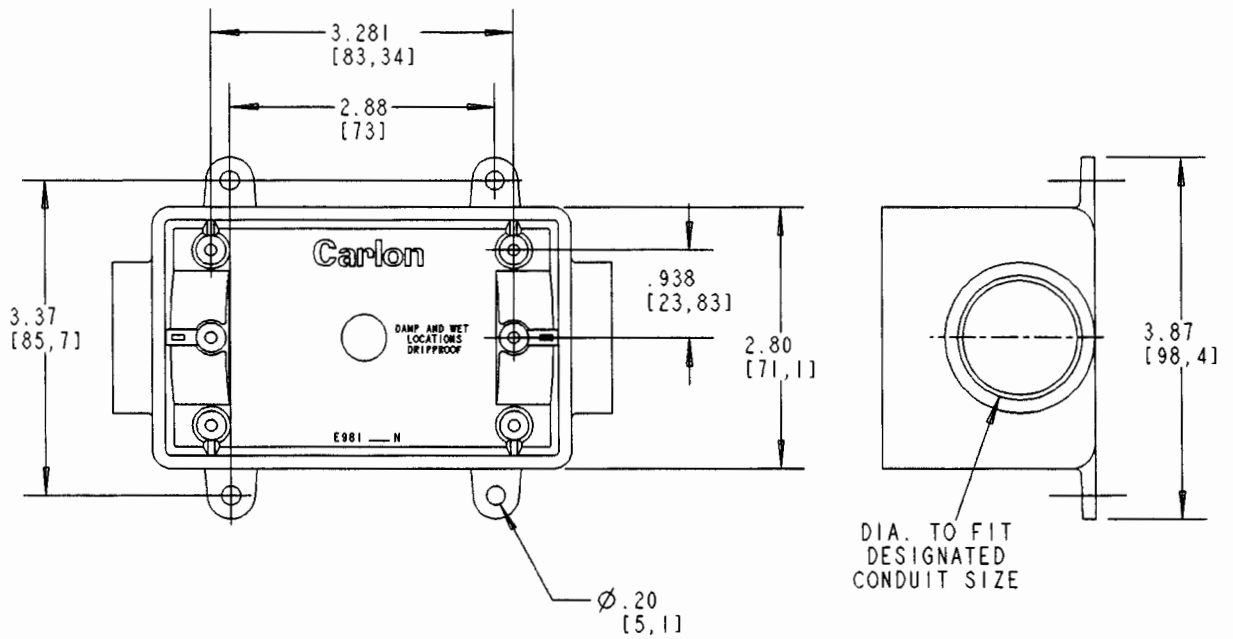


This information provided by:



Gross Automation
www.grossautomation.com

Call Toll Free:
800-349-5827



PART NO	CONDUIT SIZE INCHES (MM)	VOLUME CU. IN. (ML)	DIM 'A' INCHES (MM)	DIM 'B' INCHES (MM)
E981DN	1/2" (16)	25 (410)	2.99 (75.9)	.566 (14.4)
E981EN	3/4" (21)	25 (410)	2.99 (75.9)	.672 (17.1)
E981FN	1" (27)	25 (410)	2.99 (75.9)	.805 (20.4)

TITLE FS BOXES - 1/2"-3/4"-1" ONE ENTRY, ONE OUTLET		DRN DJK	DATE 3-17-95	PART NO: SEE CHART
LAMSON & SESSIONS	ALL DRAWINGS ARE THE PROPERTY OF LAMSON & SESSIONS AND SHALL NOT BE REPRODUCED IN ANY FORM WITHOUT LAMSON & SESSIONS' APPROVAL AND ARE TO BE PROMPTLY RETURNED UPON REQUEST.	APP. PB	DATE 3-23-95	DRAWING NO: AC02249
				REV. B