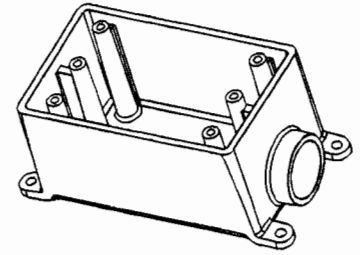


This information provided by:

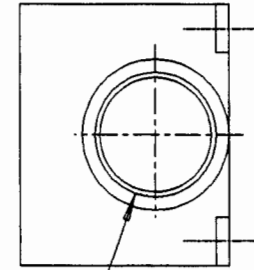
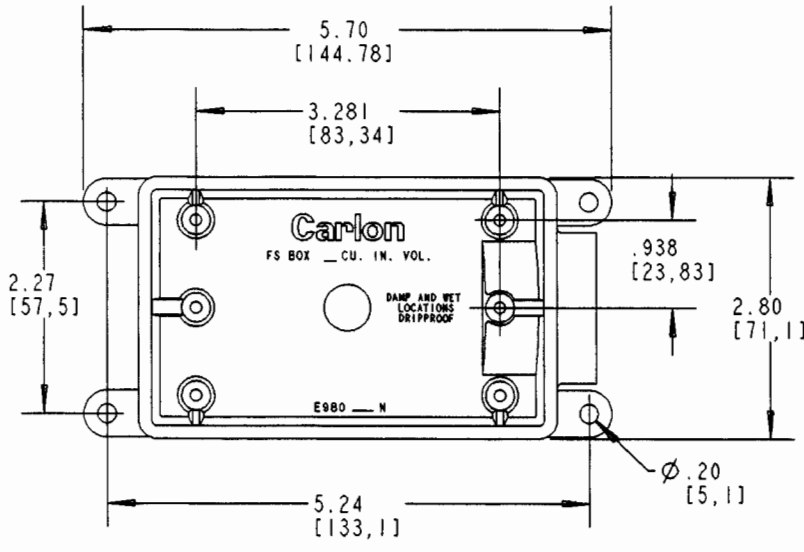


Gross Automation
www.grossautomation.com

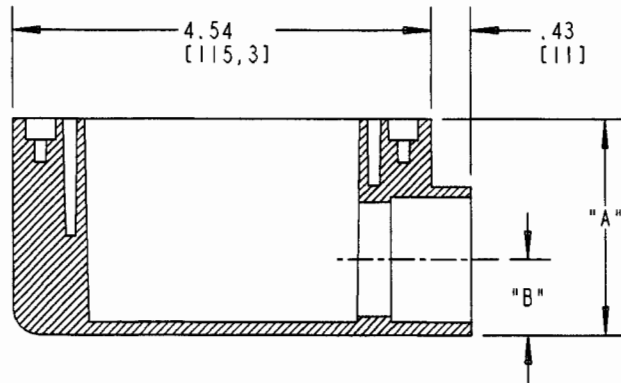
Call Toll Free:
800-349-5827



SCALE 0.300



DIA. TO FIT DESIGNATED CONDUIT SIZE



| PART NO | CONDUIT SIZE INCHES (MM) | VOLUME CU. IN. (ML) | DIM 'A' INCHES (MM) | DIM 'B' INCHES (MM) |
|---------|-----------------------------|------------------------|------------------------|------------------------|
| E980DFN | 1/2" (16) | 18 (295) | 2.30 (58.4) | .566 (14.4) |
| E980EFN | 3/4" (21) | 18 (295) | 2.30 (58.4) | .672 (17.1) |
| E980FFN | 1" (27) | 18 (295) | 2.30 (58.4) | .805 (20.4) |

TITLE FS BOXES - 1/2"-3/4"-1" ONE ENTRY, NO OUTLET

DRN DPR DATE 1-6-05

PART NO: SEE CHART

LAMSON & SESSIONS

ALL DRAWINGS ARE THE PROPERTY OF LAMSON & SESSIONS AND SHALL NOT BE REPRODUCED IN ANY FORM WITHOUT LAMSON & SESSIONS' APPROVAL AND ARE TO BE PROMPTLY RETURNED UPON REQUEST.

APP [Signature] DATE 1/6/05

DRAWING NO: AC04668

REV. -