

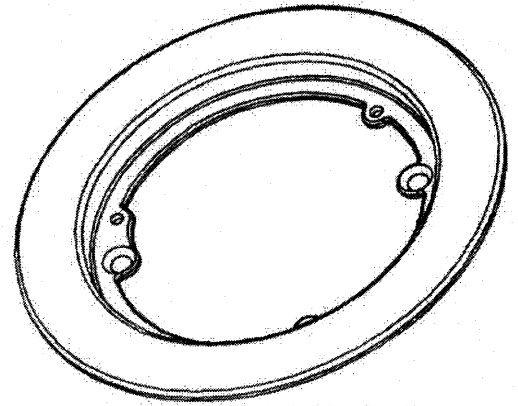
This information provided by:



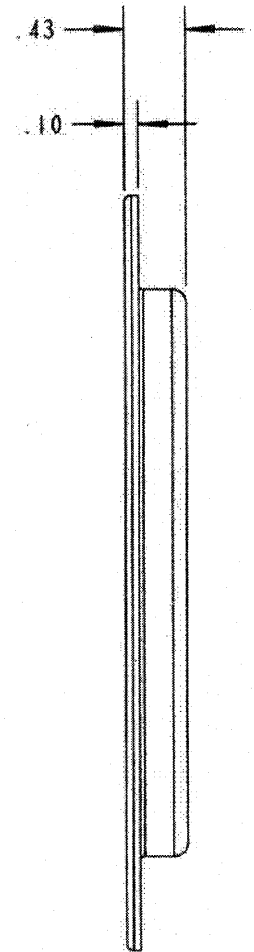
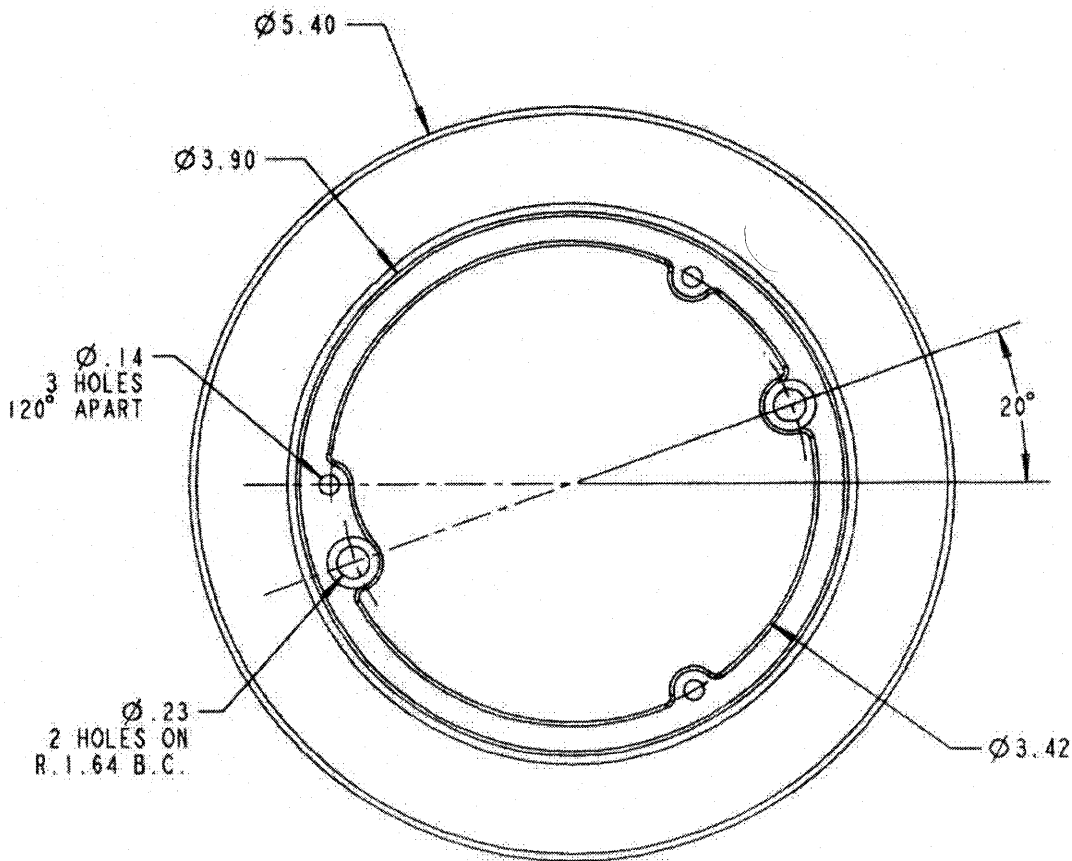
Gross Automation
www.grossautomation.com

Call Toll Free:
800-349-5827

CARLON



SCALE 0.500



TITLE: ROUND FLOOR BOX CLEAR CARPET RING

DRW. DATE
DPR 11-5-01

PART NO.: E97CCR

LAMSON & SESSIONS

ALL DRAWINGS ARE THE PROPERTY OF LAMSON & SESSIONS AND SHALL NOT BE REPRODUCED IN ANY FORM WITHOUT LAMSON & SESSIONS' APPROVAL AND ARE TO BE PROMPTLY RETURNED UPON REQUEST.

APP. DATE

DRAWING NO.: AC04050

REV.