

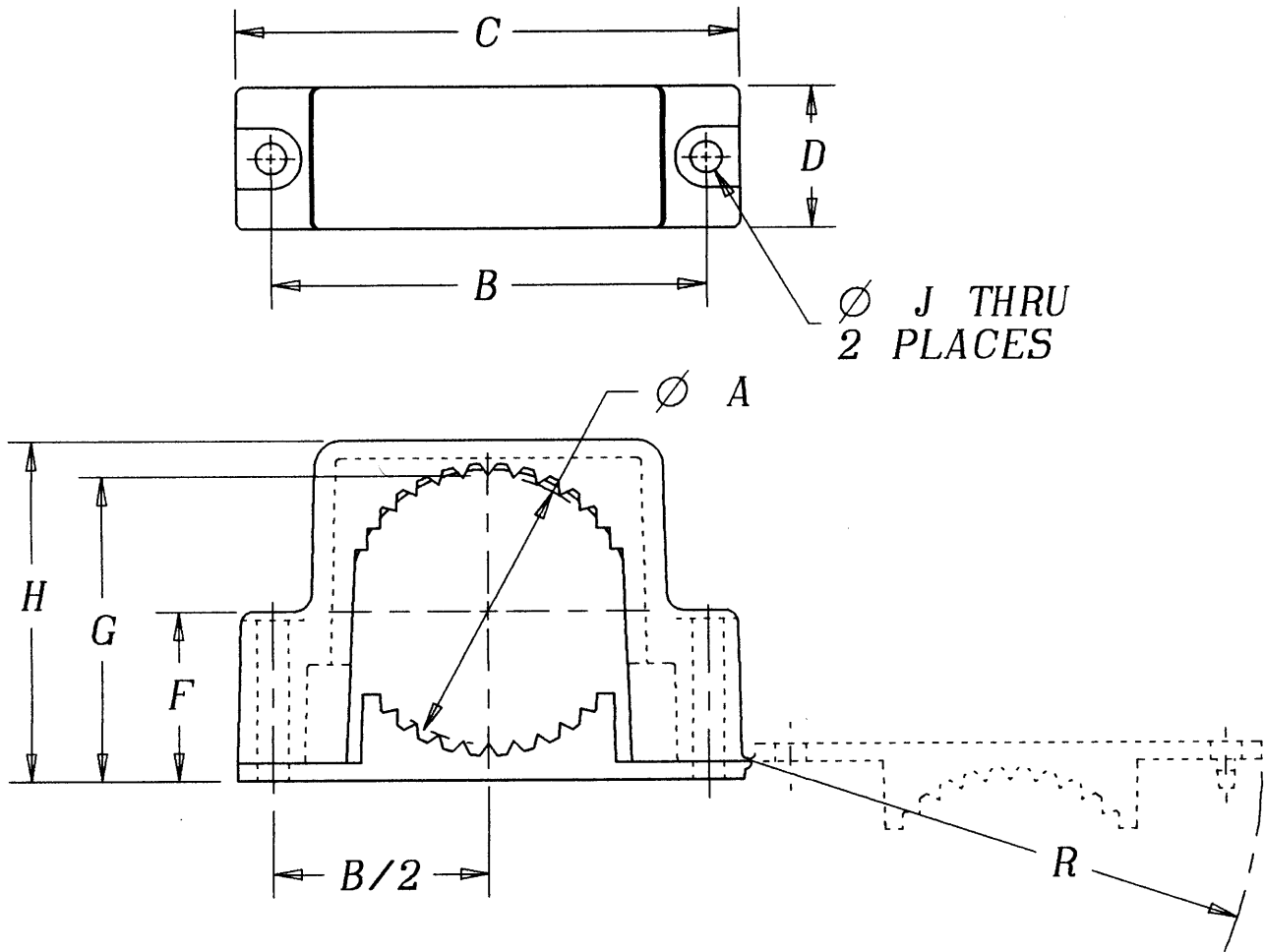
This information provided by:



Gross Automation  
[www.grossautomation.com](http://www.grossautomation.com)

Call Toll Free:  
**800-349-5827**

# CARLON



NOMINAL SIZE	PART NO.	A	B	C	D	F	G	H	$\varnothing J$	R
1-1/4"	E978GC	1.66 (42.16)	2.75 (69.9)	3.23 (82.0)	1.00 (25.4)	.95 (24.1)	1.78 (45.2)	2.15 (54.61)	.218 (5.54)	3.28 (83.3)
1-1/2"	E978HC	1.92 (48.77)	3.05 (77.5)	3.53 (89.7)	1.00 (25.4)	1.08 (27.4)	2.04 (51.8)	2.40 (60.96)	.218 (5.54)	3.58 (90.9)
2"	E978JC	2.34 (59.44)	3.50 (88.9)	4.00 (101.6)	1.00 (25.4)	1.31 (33.3)	2.48 (63.0)	2.86 (72.64)	.218 (5.54)	4.06 (103.1)

**NOTES:**

1. DIMENSIONS ARE IN INCHES/(MILLIMETERS).
2. MATERIAL : POLYPROPYLENE

TITLE: CONDUIT HANGER		DRN. PMW	DATE 3-3-97	PART NO: SEE CHART
LAMSON & SESSIONS	ALL DRAWINGS ARE THE PROPERTY OF LAMSON & SESSIONS AND SHALL NOT BE REPRODUCED IN ANY FORM WITHOUT LAMSON & SESSIONS' APPROVAL AND ARE TO BE PROMPTLY RETURNED UPON REQUEST.	APP. PRM	DATE	DRAWING NO: AC03030
				REV. A

Gross Automation (877) 266-3700 • www.carlonsales.com • sales@grossautomation.com