

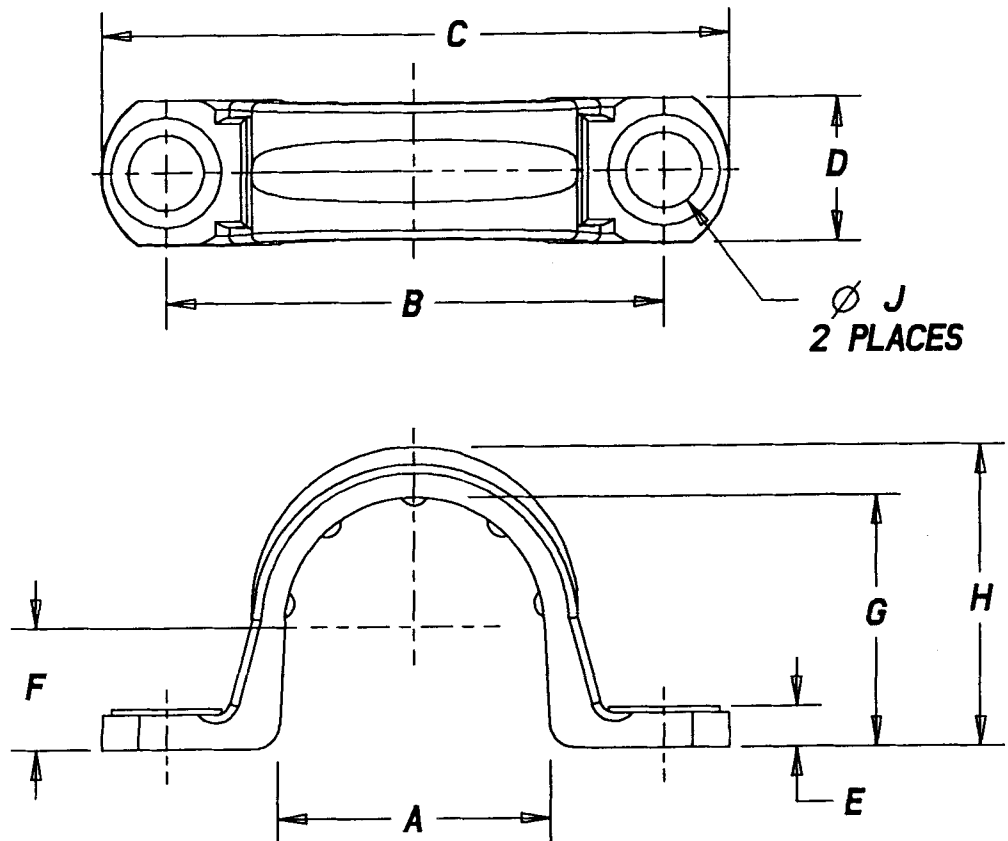
This information provided by:



Gross Automation
www.grossautomation.com

Call Toll Free:
800-349-5827

CARLON



NOMINAL SIZE	PART NO. SEE NOTE 1	PART NO. SEE NOTE 2	A	B	C	D	E	F	G	H	Ø J
1/2"	E977DC	--	.892 (22.6)	1.71 (43.4)	2.16 (54.8)	.50 (12.7)	.14 (3.5)	.42 (10.6)	.866 (21.9)	1.04 (26.4)	.260 (6.6)
3/4"	E977EC	SCE977ECX	1.102 (27.9)	1.97 (50.0)	2.40 (60.9)	.50 (12.7)	.14 (3.5)	.525 (13.3)	1.076 (27.3)	1.255 (31.8)	.260 (6.6)
1"	E977FC	SCE977FCX	1.39 (35.3)	2.25 (57.1)	2.81 (71.3)	.594 (15.0)	.14 (3.5)	.658 (16.7)	1.342 (34.0)	1.574 (39.9)	.260 (6.6)
1-1/4"	E977GC	SCE977GCX	1.714 (43.5)	2.68 (68.0)	3.28 (83.3)	.64 (16.2)	.15 (3.8)	.83 (21.0)	1.687 (42.8)	1.89 (48.0)	.320 (8.1)
1-1/2"	E977HC	SCE977HCX	1.92 (48.7)	2.82 (71.6)	3.44 (87.3)	.70 (17.7)	.15 (3.8)	.97 (24.6)	1.93 (49.0)	2.12 (53.8)	.312 (7.9)
2"	E977JC	SCE977JCX	2.54 (64.5)	3.54 (89.9)	4.18 (106.1)	.76 (19.3)	.16 (4.0)	1.05 (26.6)	2.29 (58.1)	2.49 (63.2)	.315 (8.0)

NOTES:

1. MATERIAL: GRAY PVC
2. MATERIAL: ORANGE PVC
3. ALL DIMENSIONS ARE IN INCH/MILLIMETERS

TITLE CONDUIT CLAMPS		DRN. DPR	DATE 6-16-98	PART NO.: SEE CHART	
LAMSON & SESSIONS	ALL DRAWINGS ARE THE PROPERTY OF LAMSON & SESSIONS AND SHALL NOT BE REPRODUCED IN ANY FORM WITHOUT LAMSON & SESSIONS' APPROVAL AND ARE TO BE PROMPTLY RETURNED UPON REQUEST.	APP. WGL	DATE 8-21-01	DRAWING NO.:	REV.
		Gross Automation (877) 268-3700 - www.carlonsales.com - sales@grossautomation.com			AC03405