

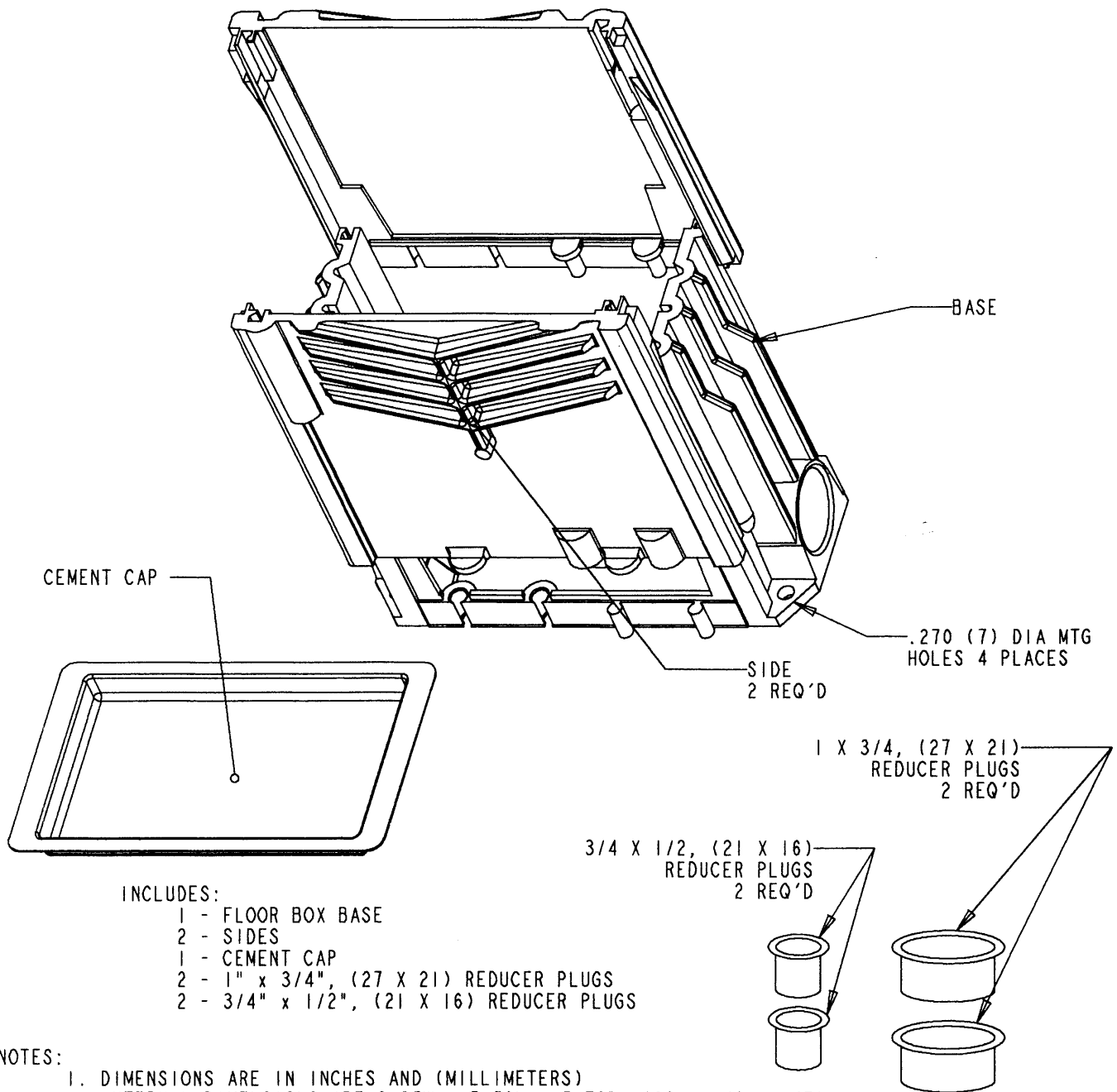
This information provided by:



Gross Automation
www.grossautomation.com

Call Toll Free:
800-349-5827

CARLON



INCLUDES:

- 1 - FLOOR BOX BASE
- 2 - SIDES
- 1 - CEMENT CAP
- 2 - 1" x 3/4", (27 X 21) REDUCER PLUGS
- 2 - 3/4" x 1/2", (21 X 16) REDUCER PLUGS

NOTES:

1. DIMENSIONS ARE IN INCHES AND (MILLIMETERS)
INTERNAL DIMENSIONS ARE 3.25W x 5.50L x 5.78D, (83 X 140 X 147)
EXTERNAL DIMENSIONS ARE 4.12W x 7.45L x 6.00D, (105 X 189 X 152)
VOLUME (MAX.) : 97.4 cu.in. (1596.4 ml)
2. COLOR : GREY
3. U.S. PATENT 5,866,845
4. MINIMUM FLOOR BOX INSTALLATION HEIGHT FOR USE WITH CARLON® COVERS IS 3.00" (76.2). (INCLUDES CONCRETE DEPTH PLUS FINISHED FLOOR HEIGHT)
NOTE - WITH 3.00" INSTALLATION HEIGHT, DEVICE YOKE CANNOT BE RECESSED. WITH 3.50" INSTALLATION HEIGHT, DEVICE YOKE CAN BE RECESSED TO PROVIDE .87" SPACE FOR CORD PLUG BETWEEN ELECTRICAL DEVICE AND CLOSED COVER.
5. MINIMUM FLOOR BOX INSTALLATION HEIGHT FOR USE WITH METALLIC COVERS IS 2-1/4" (57.2). (INCLUDES CONCRETE DEPTH PLUS FINISHED FLOOR HEIGHT)

TITLE: MODULAR RECTANGULAR FLOOR BOX ASSEMBLY		DRN: DJK	DATE: 10-3-97	PART NO: E976RFB
LAMSON & SESSIONS	ALL DRAWINGS ARE THE PROPERTY OF LAMSON & SESSIONS AND SHALL NOT BE REPRODUCED IN ANY FORM WITHOUT LAMSON & SESSIONS' APPROVAL AND ARE TO BE PROMPTLY RETURNED UPON REQUEST.	APP.	DATE	DRAWING NO: AC02827
				REV. E

CARLON[®] STRAIN RELIEF CONNECTOR AND GROMMET PART NO. H978E

CUT REMAINING BOX HEIGHT FLUSH TO FINISHED FLOOR

1" (27) SOCKET OUTLET TYP BOTH ENDS

SUBFLOOR

2" x 8" WOOD OR METAL JOISTS

2" x 6" CUT TO FIT JOIST SPACING

16" (406) O.C.

WOOD OR METAL JOIST CONSTRUCTION
FIGURE #1A

2" x 8" WOOD OR METAL JOISTS

CARLON[®] STRAIN RELIEF CONNECTOR AND GROMMET PART NO. H978E

FOR WOOD CONSTRUCTION - (3) 16D NAILS EACH END

FOR METAL CONSTRUCTION - (3) 3" (78) SELF-DRILLING SCREWS EACH END

ROMEX

1" x 3/4" (27 x 21) REDUCER PLUG PART NO. E971D, SUPPLIED WITH FLOOR BOX E976RFB

WOOD OR METAL JOIST CONSTRUCTION
FIGURE #1B

FOR WOOD FLOOR APPLICATIONS, USE CARLON[®] E976 SERIES COVERS ONLY.

NOTES:

1. DIMENSIONS ARE IN INCHES AND (MILLIMETERS).
2. INSTALL BOX ON 2" x 6", SLIDE BETWEEN FLOOR JOISTS, MARK OUTLINE OF BOX ON BOTTOM OF SUBFLOOR, MARK CENTER - CUT PROFILE THRU FLOOR TO INSTALL BOX.
3. PLUG ANY UNUSED OUTLET WITH REDUCER PLUG PART NO. E971D, SUPPLIED WITH FLOOR BOX.

INSTRUCTIONS FOR CARLON[®] RECTANGULAR FLOOR BOX PART NO. E976RFB FOR USE IN FRAME CONSTRUCTION

TITLE: **RECTANGULAR FLOOR BOX INSTRUCTION SHEET**

DRN: **PMW**

DATE: **7-1-97**

PART NO:

E976RFB

LAMSON & SESSIONS

ALL DRAWINGS ARE THE PROPERTY OF LAMSON & SESSIONS AND SHALL NOT BE REPRODUCED IN ANY FORM WITHOUT LAMSON & SESSIONS' APPROVAL AND ARE TO BE PROMPTLY RETURNED UPON REQUEST.

APP: **JM**

DATE: **7-3-97**

DRAWING NO:

AC03134

REV: **C**