

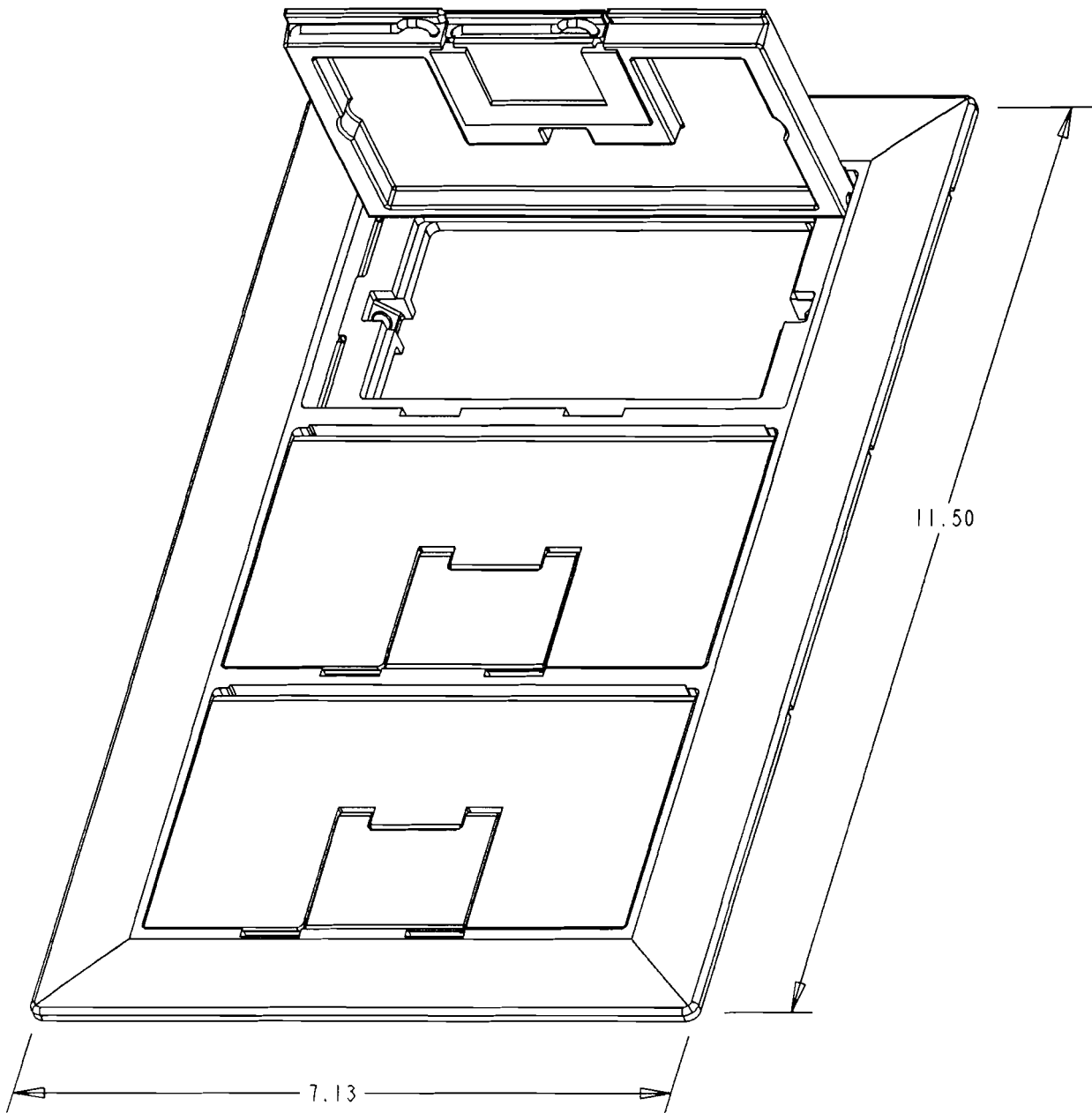
This information provided by:



Gross Automation
www.grossautomation.com

Call Toll Free:
800-349-5827

CARLON



NOTES:

1. SOLID BRASS BRUSHED FINISH
2. UL & UL-C APPROVED
3. SCREW PACK INCLUDED P/N KE976SP (NOT SHOWN).
4. U.S. PATENT 6,265,662
5. GROUND WIRE INCLUDED (NOT SHOWN).

TITLE BRASS RECTANGULAR FLOOR PLATE - 3-GANG		DRN DPR	DATE 6-3-99	PART NO: E9763BR
LAMSON & SESSIONS	ALL DRAWINGS ARE THE PROPERTY OF LAMSON & SESSIONS AND SHALL NOT BE REPRODUCED IN ANY FORM WITHOUT LAMSON & SESSIONS' APPROVAL AND ARE TO BE PROMPTLY RETURNED UPON REQUEST.	APP.	DATE 6-24-99	DRAWING NO.: AC03613
				REV. A