

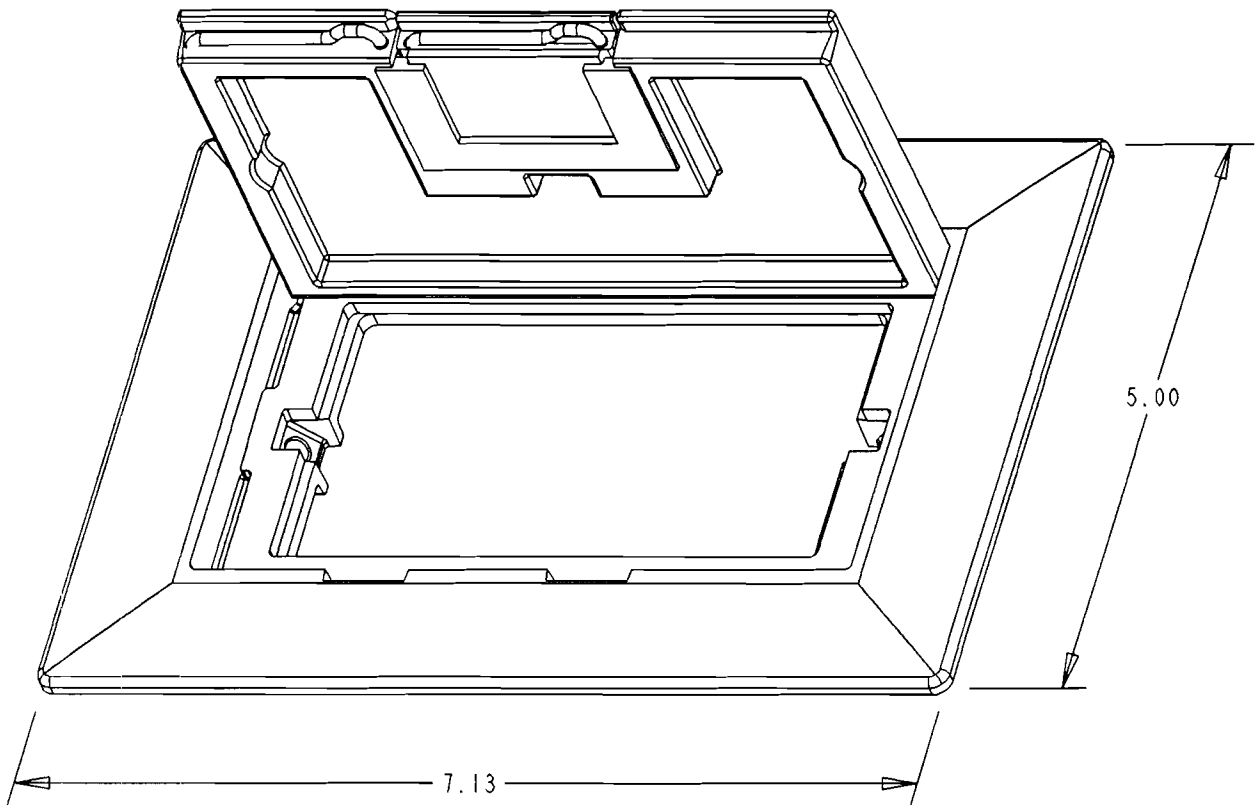
This information provided by:



Gross Automation  
[www.grossautomation.com](http://www.grossautomation.com)

Call Toll Free:  
**800-349-5827**

# CARLON



**NOTES:**

1. SOLID BRASS BRUSHED FINISH
2. UL & UL-C APPROVED
3. SCREW PACK INCLUDED P/N KE976SP (NOT SHOWN).
4. U.S. PATENT 6,265,662
5. GROUND WIRE INCLUDED (NOT SHOWN).

TITLE BRASS RECTANGULAR FLOOR PLATE - 1-GANG		DRN DPR	DATE 6-3-99	PART NO: E9761BR
LAMSON & SESSIONS	ALL DRAWINGS ARE THE PROPERTY OF LAMSON & SESSIONS AND SHALL NOT BE REPRODUCED IN ANY FORM WITHOUT LAMSON & SESSIONS' APPROVAL AND ARE TO BE PROMPTLY RETURNED UPON REQUEST.	APP. KEF	DATE 6-24-99	DRAWING NO: AC03611
				REV. A