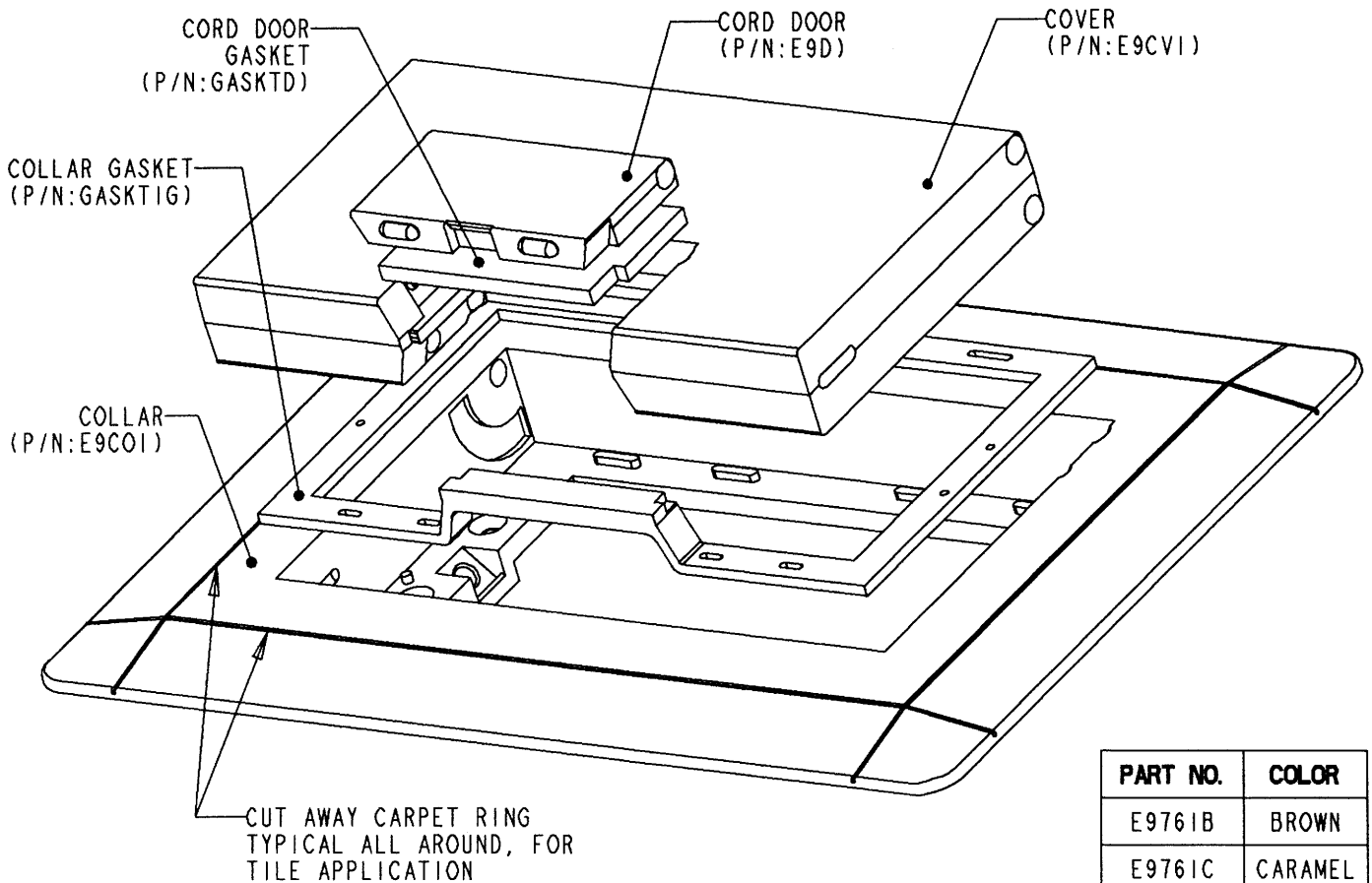
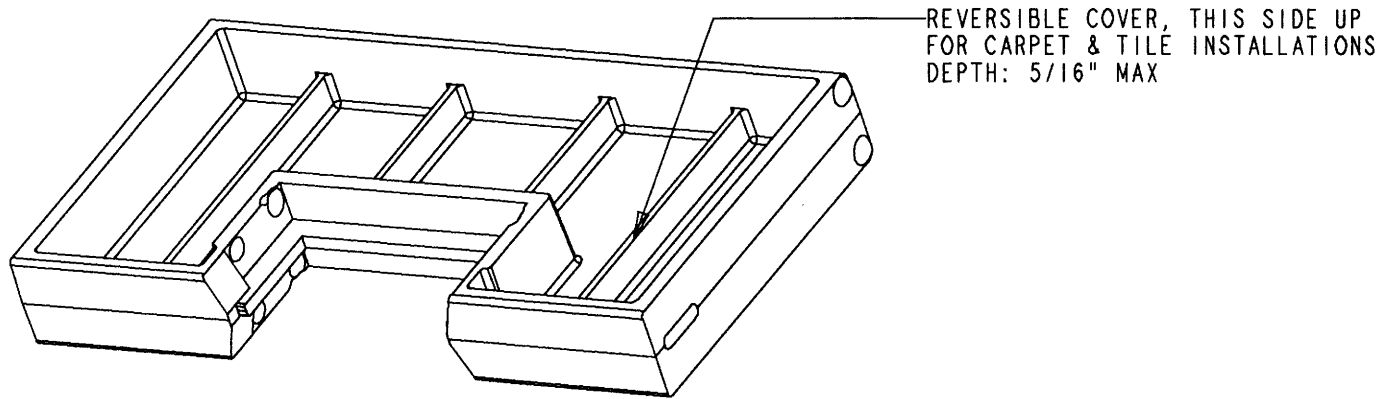


This information provided by:



Gross Automation  
[www.grossautomation.com](http://www.grossautomation.com)

Call Toll Free:  
**800-349-5827**



PART NO.	COLOR
E9761B	BROWN
E9761C	CARAMEL
E9761S	SLATE

NOTES:

- DIMENSIONS ARE IN INCHES AND (MILLIMETERS)  
COVER - 5.2 X 2.9 X .73, (132 X 74 X 18); CORD DOOR - 2.1 X 1.1 X .25,  
(53 X 28 X 6); COLLAR AND CARPET RING - 7.9 X 5.7 X .95, (200 X 145 X 24);  
COLLAR WITH CARPET RING REMOVED - 6.4 X 4.2 X .95, (163 X 107 X 24)
- COLORS AVAILABLE---BROWN, CARAMEL AND SLATE.
- SCREW PACK (P/N KE976SP) INCLUDED IN PACKAGE BUT NOT SHOWN.
- U.S. PATENT 5,866,845

TITLE COLLAR ASSY, RECT. FLOORBOX, ONE GANG

DRN DATE  
PMW 9/24/96

PART NO: E9761\_

LAMSON & SESSIONS

ALL DRAWINGS ARE THE PROPERTY OF LAMSON & SESSIONS AND SHALL NOT BE REPRODUCED IN ANY FORM WITHOUT LAMSON & SESSIONS' APPROVAL AND ARE TO BE PROMPTLY RETURNED UPON REQUEST.

APP DATE  
PS 5/19/97

DRAWING NO: AC02824

REV.  
C