

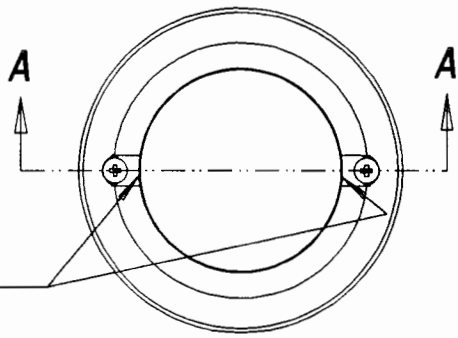
This information provided by:



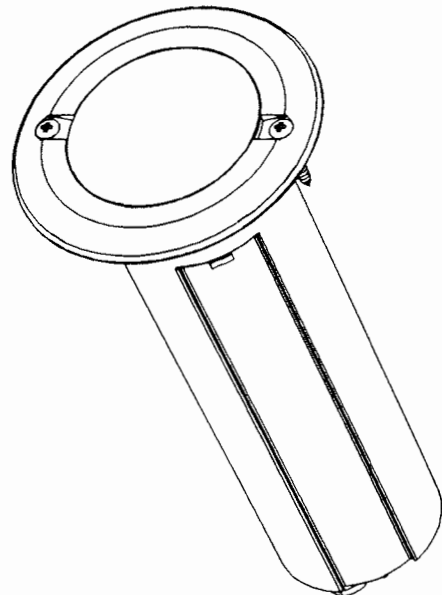
Gross Automation
www.grossautomation.com

Call Toll Free:
800-349-5827

SCALE 0.500



TO OPEN COVER, PRY HERE WITH SCREWDRIVER

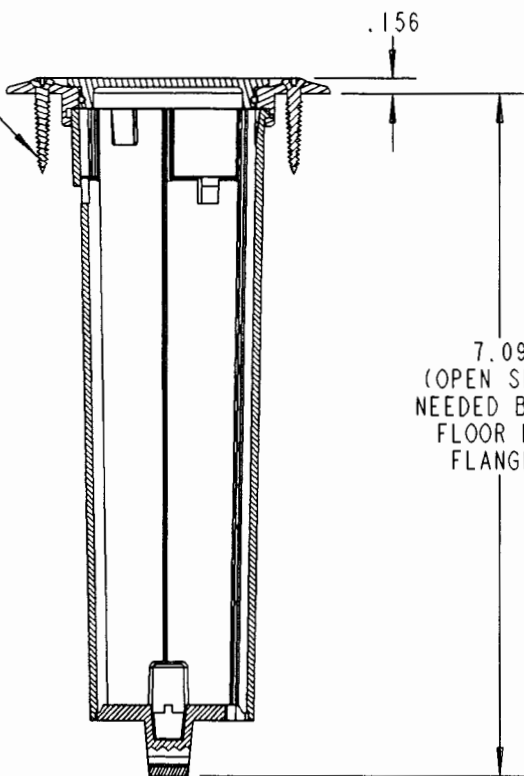


SCALE 0.500

(2) #6 x 1" OVAL HEAD PHILLIPS WOOD SCREWS

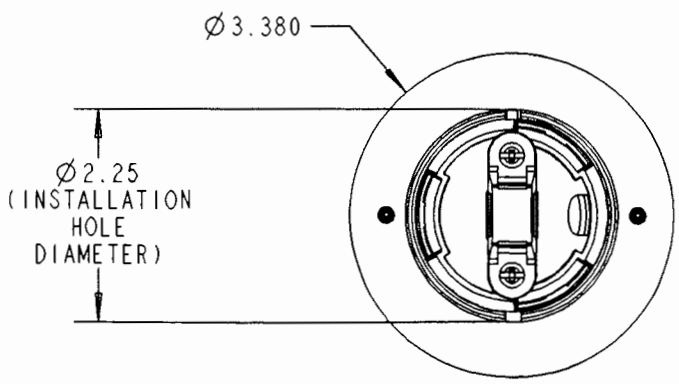
SINGLE AC RECEPTACLE (INCLUDED)

#14 AWG WIRE BLACK WHITE GREEN



7.09 (OPEN SPACE NEEDED BELOW FLOOR BOX FLANGE)

SECTION A-A



NOTES:

120VAC, 15 AMP, UL LISTED
INCLUDES (3) WIRE NIPTS

TITLE: RESIDENTIAL ROUND FLOOR BOX ASSY (BRASS COVER)		DRN: RG	DATE: 8/24/04	PART NO: E971FBDI	
LAMSON & SESSIONS	ALL DRAWINGS ARE THE PROPERTY OF LAMSON & SESSIONS AND SHALL NOT BE REPRODUCED IN ANY FORM WITHOUT LAMSON & SESSIONS' APPROVAL AND ARE TO BE PROMPTLY RETURNED UPON REQUEST.	APP: MR	DATE: 8/24/04	DRAWING NO: AC04598	REV.