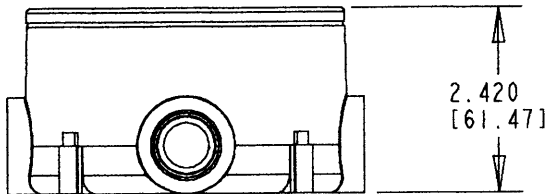
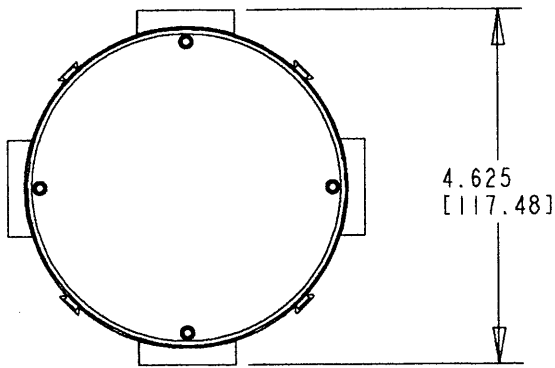
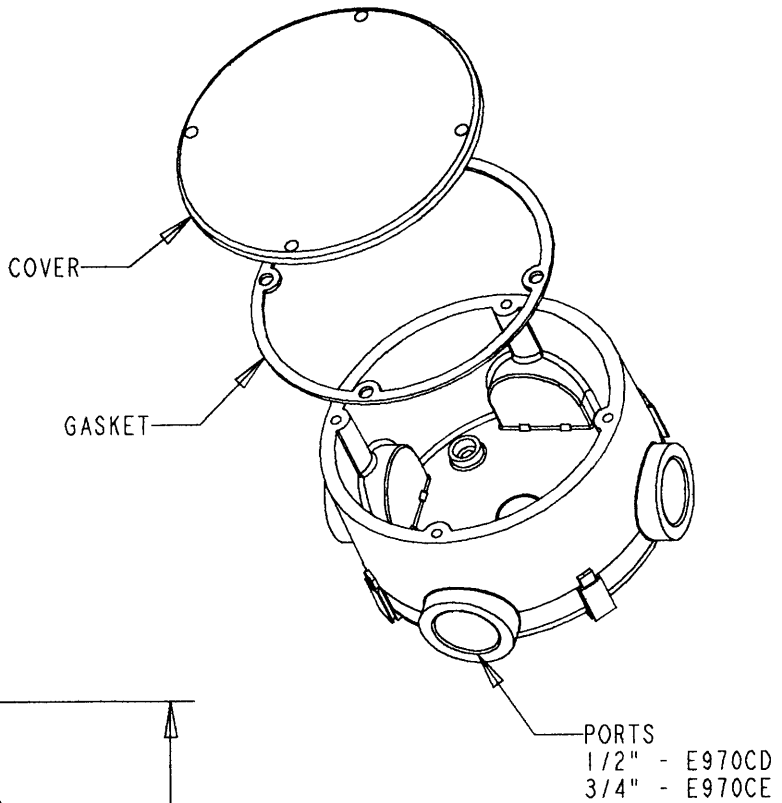


This information provided by:



Gross Automation  
[www.grossautomation.com](http://www.grossautomation.com)

Call Toll Free:  
**800-349-5827**



NOTE: DIMENSIONS ARE INCHES (MILLIMETERS).

PART NO.	PORT SIZE	VOLUME IN (mL)	AGENCY APPROVAL
E970CD	1/2"	18.5 (303)	NONE
E970CE	3/4"	18.5 (303)	UL

TITLE ROUND JUNCTION BOX (1/2" OR 3/4" PORTS)		DRN RG	DATE 4/19/00	PART NO: <b>SEE CHART</b>
LAMSON & SESSIONS	ALL DRAWINGS ARE THE PROPERTY OF LAMSON & SESSIONS AND SHALL NOT BE REPRODUCED IN ANY FORM WITHOUT LAMSON & SESSIONS' APPROVAL AND ARE TO BE PROMPTLY RETURNED UPON REQUEST.	APP	DATE 4/20/00	DRAWING NO: <b>AC03770</b>
				REV.